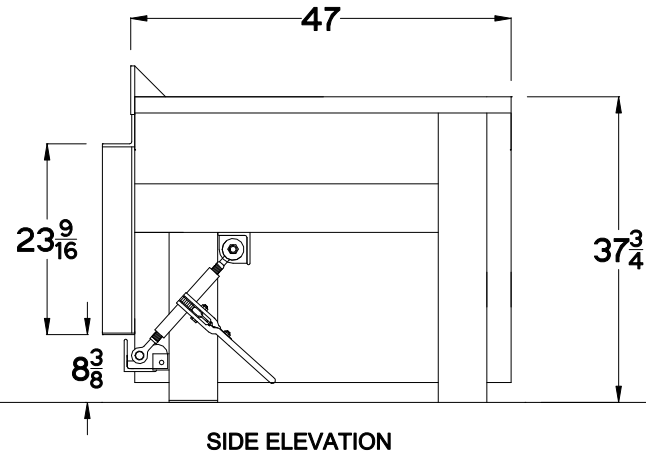
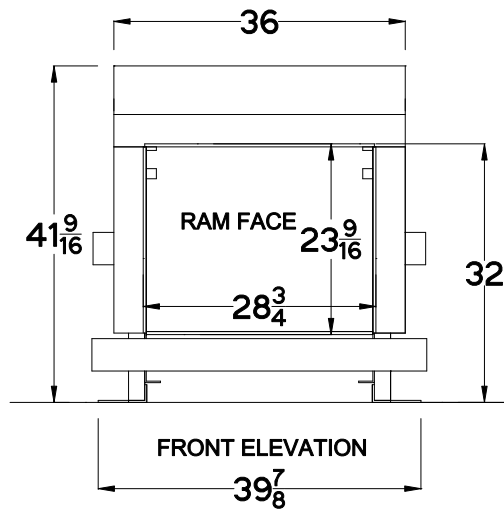
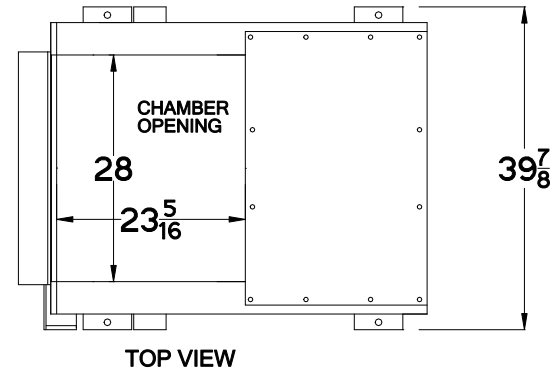
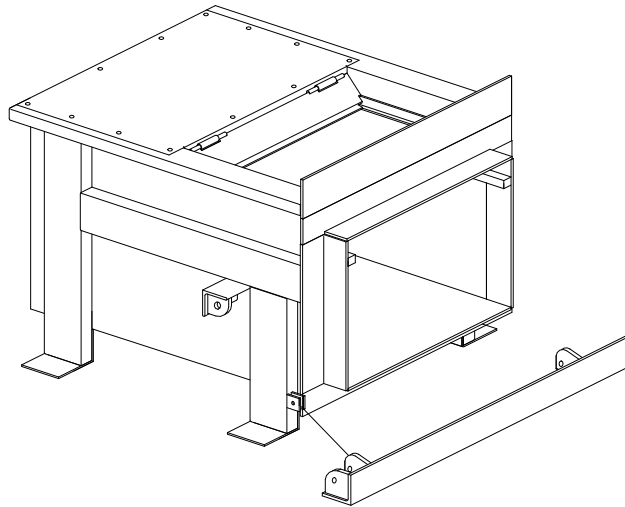


S-100 COMPACTOR

(NO FABRICATED LOAD OPTION)



NOTE: DIMENSIONS ARE NOMINAL. THEY ARE A CLOSE REPRESENTATION OF ACTUAL WELDED ASSEMBLIES AND MAY CHANGE WITHOUT NOTICE.

DESCRIPTION: **S-100 COMPACTOR**



THIS DRAWING CONTAINS CONFIDENTIAL & PROPRIETARY INFORMATION AND SHALL NOT BE DISCLOSED OR COPIED WITHOUT THE EXPRESSED, WRITTEN PERMISSION OF BAKER WASTE EQUIPMENT.

DRAWN BY: M. CARLIN	DATE 08/19/15
APPROVED BY:	DATE
	PAGE 1
FILE NAME S100-001-S	REV.