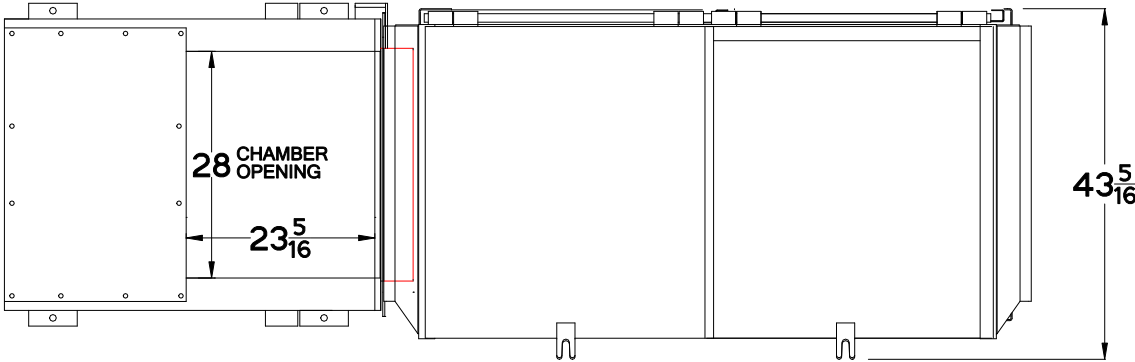


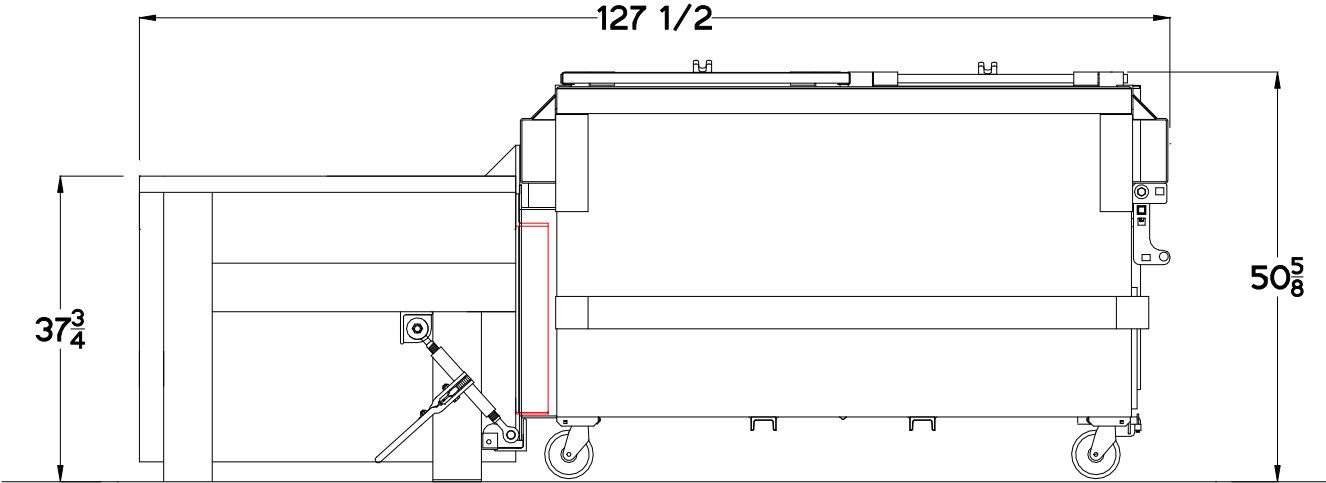
S-100 COMPACTOR

(WITH CC-02-FL WITHOUT GLIDE SYSTEM)

TOP VIEW



SIDE ELEVATION



NOTE: DIMENSIONS ARE NOMINAL. THEY ARE A CLOSE REPRESENTATION OF ACTUAL WELDED ASSEMBLIES AND MAY CHANGE WITHOUT NOTICE.

DESCRIPTION: S-100 WITH CC-02-FL WITHOUT GLIDE SYSTEM



THIS DRAWING CONTAINS CONFIDENTIAL & PROPRIETARY INFORMATION AND SHALL NOT BE DISCLOSED OR COPIED WITHOUT THE EXPRESSED, WRITTEN PERMISSION OF BAKER WASTE EQUIPMENT.

DRAWN BY: M. CARLIN	DATE 12/1/15
APPROVED BY:	DATE
	PAGE 1
DWG # S100-003-S	REV.