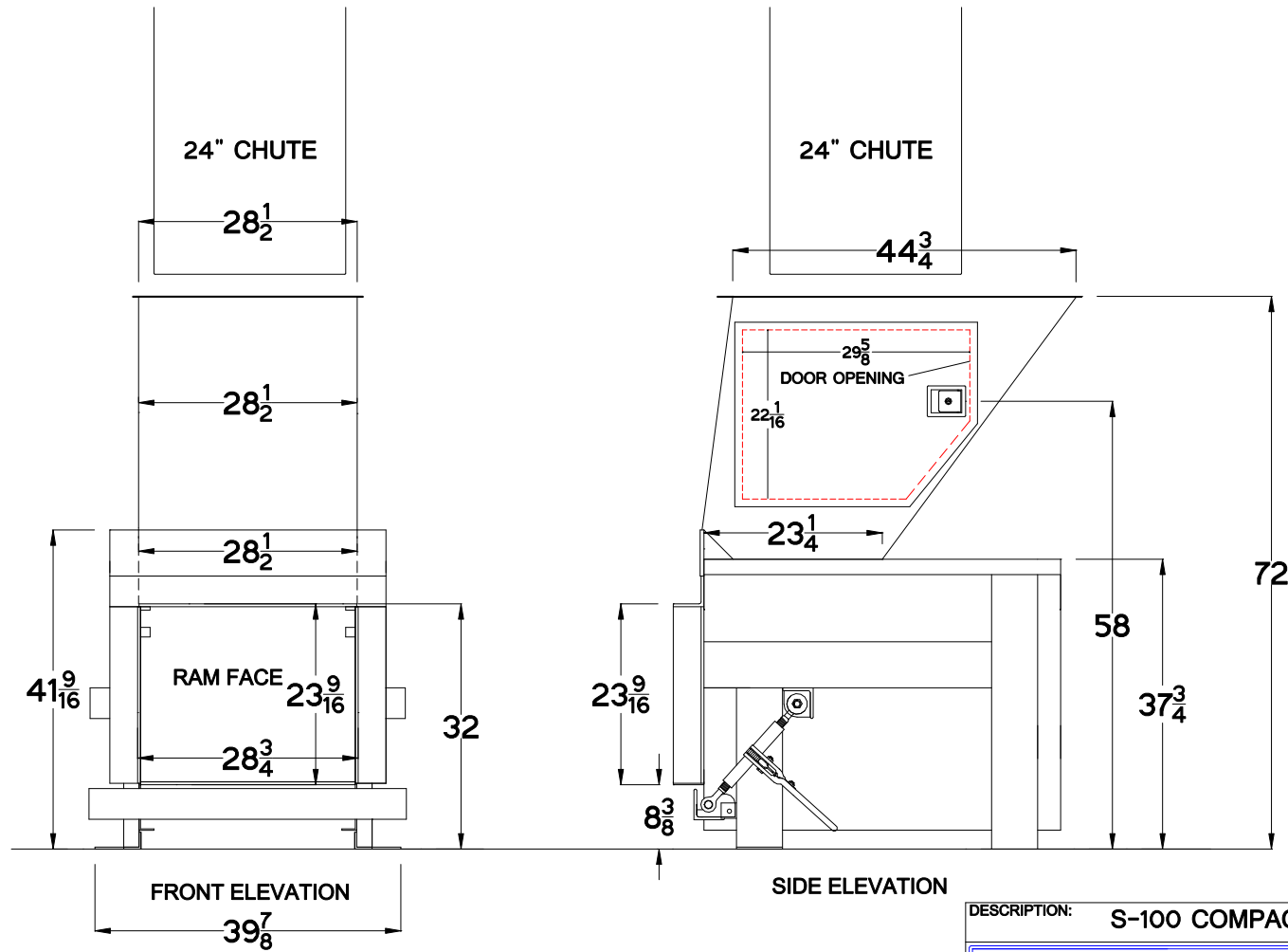


S-100 COMPACTOR

(WITH HOPPER FOR 24" CHUTE)



NOTE: DIMENSIONS ARE NOMINAL. THEY ARE A CLOSE REPRESENTATION OF ACTUAL WELDED ASSEMBLIES AND MAY CHANGE WITHOUT NOTICE.

DESCRIPTION: S-100 COMPACTOR FOR 24" CHUTE



THIS DRAWING CONTAINS CONFIDENTIAL & PROPRIETARY INFORMATION AND SHALL NOT BE DISCLOSED OR COPIED WITHOUT THE EXPRESSED, WRITTEN PERMISSION OF BAKER WASTE EQUIPMENT.

DRAWN BY: M. CARLIN	DATE 03/31/16
APPROVED BY:	DATE
	PAGE 1
FILE NAME S100-160-S	REV.