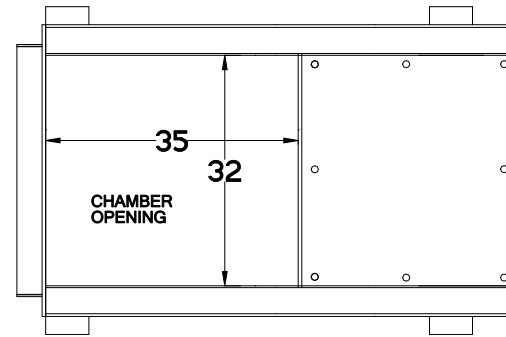
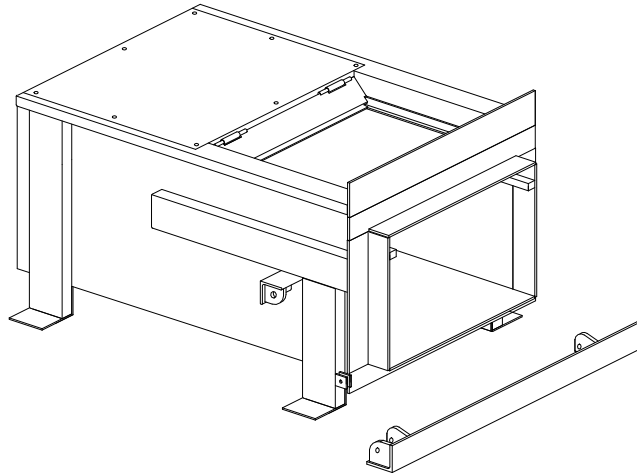
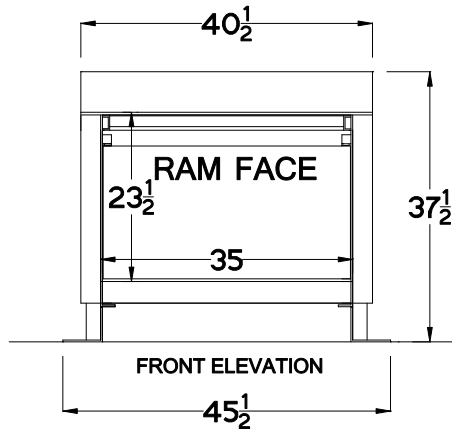


S-125 COMPACTOR

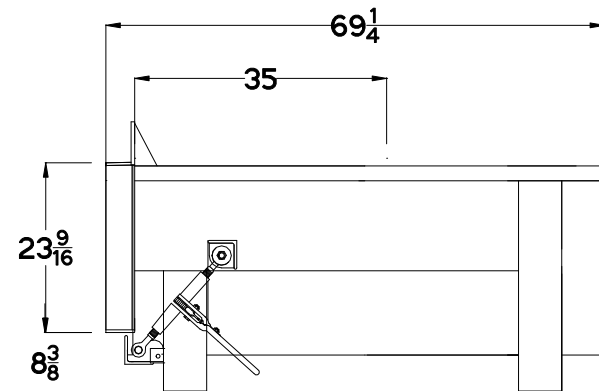
(NO FABRICATED LOAD OPTION)



TOP VIEW



FRONT ELEVATION



SIDE ELEVATION

NOTE: DIMENSIONS ARE NOMINAL. THEY ARE A CLOSE REPRESENTATION OF ACTUAL WELDED ASSEMBLIES AND MAY CHANGE WITHOUT NOTICE.

DESCRIPTION: **S-125 COMPACTOR**



THIS DRAWING CONTAINS CONFIDENTIAL & PROPRIETARY INFORMATION AND SHALL NOT BE DISCLOSED OR COPIED WITHOUT THE EXPRESSED, WRITTEN PERMISSION OF BAKER WASTE EQUIPMENT.

DRAWN BY:	M. CARLIN	DATE	05/14/15
APPROVED BY:		DATE	
		PAGE	1
FILE NAME			REV.
S125-001-S			