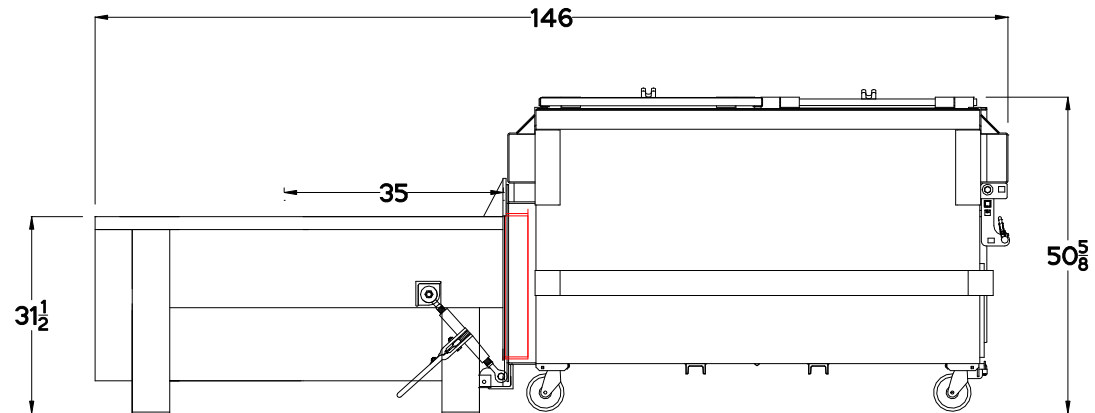
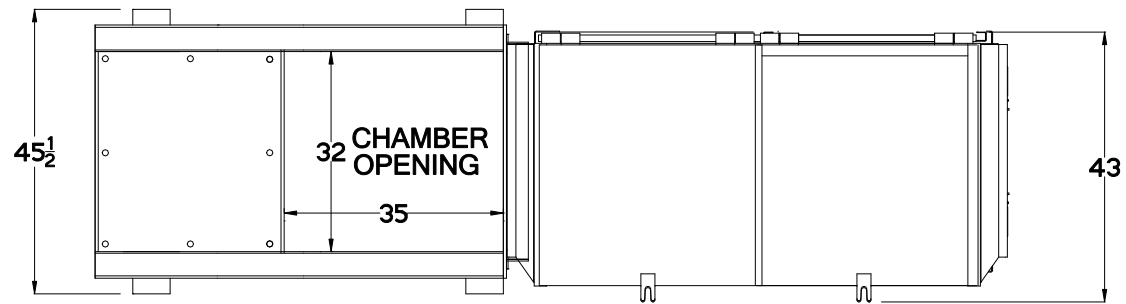


S125 COMPACTOR

(WITH CC-02-FL WITHOUT GLIDE SYSTEM)



NOTE: DIMENSIONS ARE NOMINAL. THEY ARE A CLOSE REPRESENTATION OF ACTUAL WELDED ASSEMBLIES AND MAY CHANGE WITHOUT NOTICE.

DESCRIPTION: S-125 WITH CC-02-FL WITHOUT GLIDE SYSTEM



THIS DRAWING CONTAINS
CONFIDENTIAL &
PROPRIETARY INFORMATION
AND SHALL NOT BE
DISCLOSED OR COPIED
WITHOUT THE EXPRESSED,
WRITTEN PERMISSION OF
BAKER WASTE EQUIPMENT.

DRAWN BY: M. CARLIN	DATE 12/1/15
APPROVED BY:	DATE
	PAGE 1
FILE NAME S125-003-S	REV.