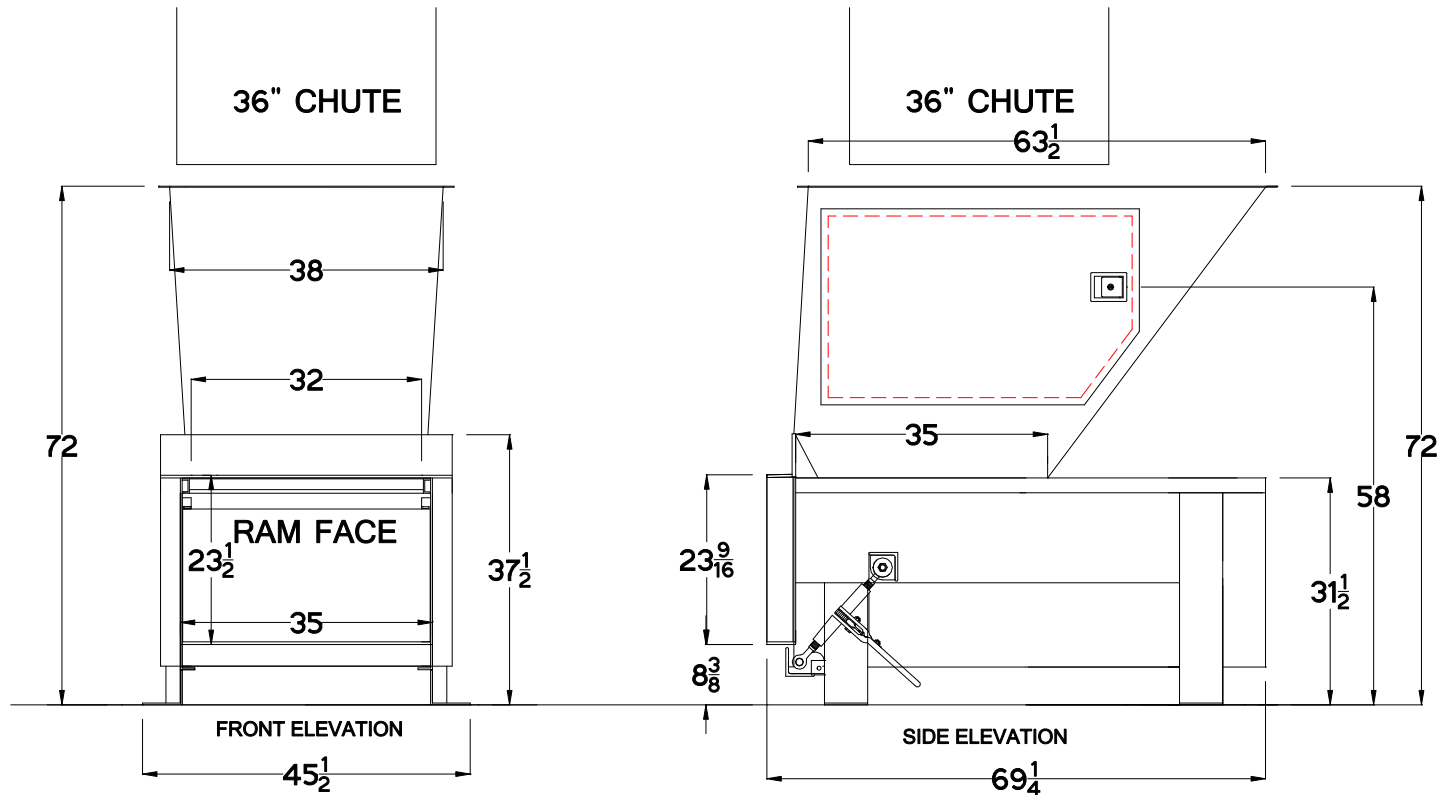


# S-125 COMPACTOR

(FOR 36" CHUTE)



**NOTE:** DIMENSIONS ARE NOMINAL. THEY ARE A CLOSE REPRESENTATION OF ACTUAL WELDED ASSEMBLIES AND MAY CHANGE WITHOUT NOTICE.

<b>DESCRIPTION:</b>	
<b>S-125 COMPACTOR FOR 36" CHUTE</b>	
	<p style="font-size: small;">THIS DRAWING CONTAINS CONFIDENTIAL &amp; PROPRIETARY INFORMATION AND SHALL NOT BE DISCLOSED OR COPIED WITHOUT THE EXPRESSED, WRITTEN PERMISSION OF BAKER WASTE EQUIPMENT.</p>
DRAWN BY:	DATE
M. CARLIN	03/31/16
APPROVED BY:	DATE
	PAGE
	1
FILE NAME	REV.
S125-160-S	