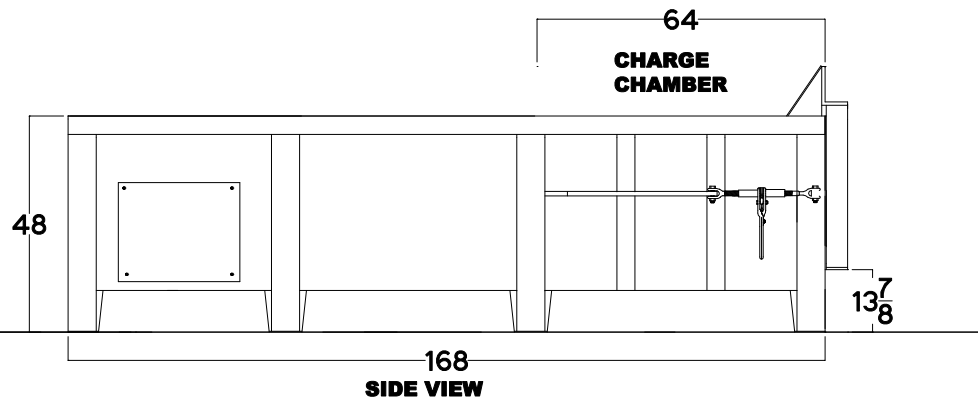
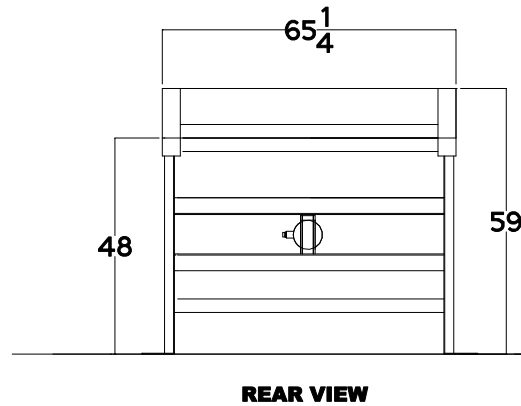
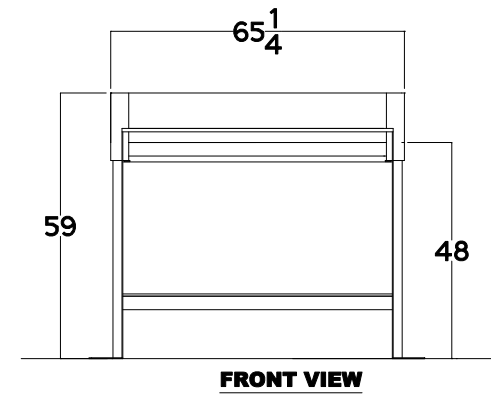
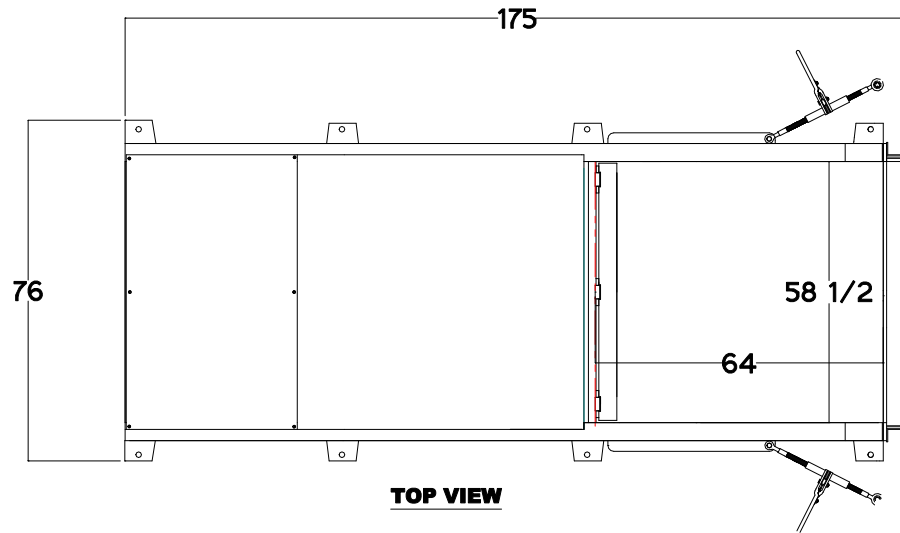


S-300

(NO FABRICATED LOAD OPTION)



NOTE: DIMENSIONS ARE NOMINAL. THEY ARE A CLOSE REPRESENTATION OF ACTUAL WELDED ASSEMBLIES AND MAY CHANGE WITHOUT NOTICE.

DESCRIPTION: **S-300 COMPACTOR**



THIS DRAWING CONTAINS CONFIDENTIAL & PROPRIETARY INFORMATION AND SHALL NOT BE DISCLOSED OR COPIED WITHOUT THE EXPRESSED, WRITTEN PERMISSION OF BAKER WASTE EQUIPMENT.

DRAWN BY:	M. CARLIN	DATE:	10/26/15
APPROVED BY:		DATE:	
		PAGE:	1
FILE NAME:	S300-001-S		
		REV.:	