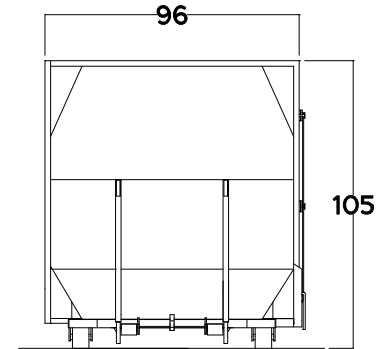
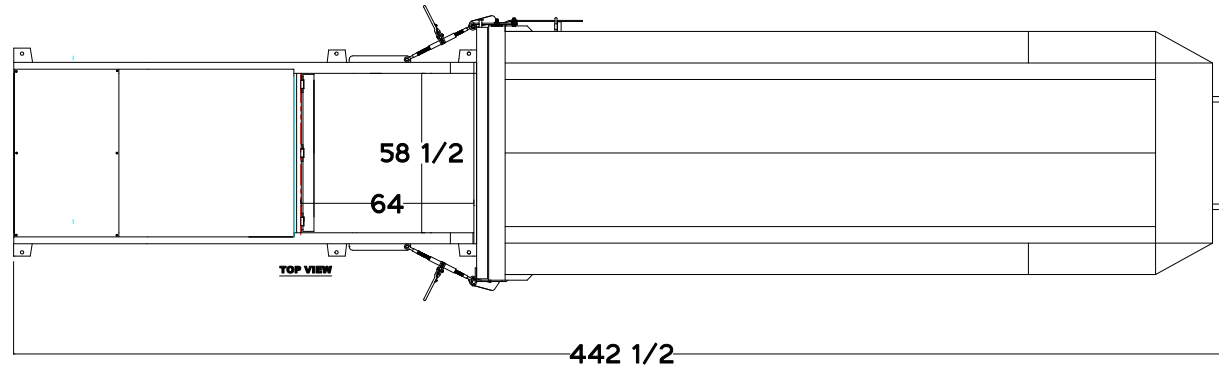
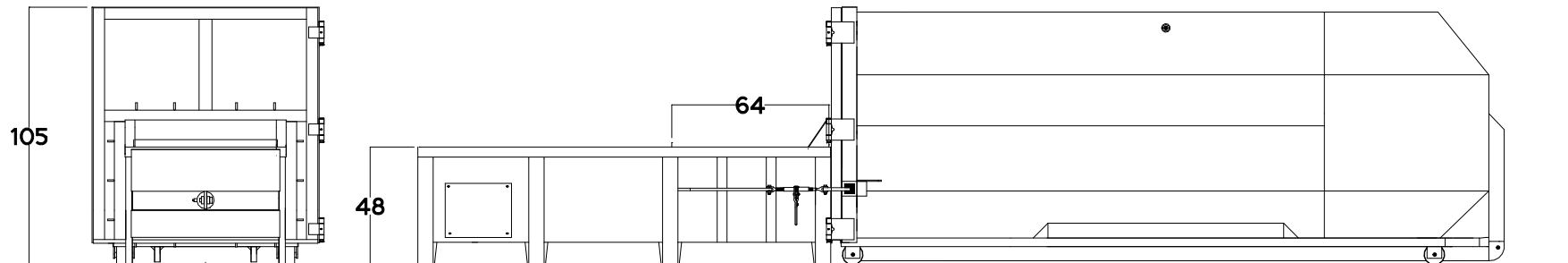


# S-300 (WITH CC-40)

## TOP VIEW



## RIGHT SIDE VIEW



**NOTE:** DIMENSIONS ARE NOMINAL. THEY ARE A CLOSE REPRESENTATION OF ACTUAL WELDED ASSEMBLIES AND MAY CHANGE WITHOUT NOTICE.

DESCRIPTION: **S-300 COMPACTOR WITH CC-40**



THIS DRAWING CONTAINS  
CONFIDENTIAL &  
PROPRIETARY INFORMATION  
AND SHALL NOT BE  
DISCLOSED OR COPIED  
WITHOUT THE EXPRESSED,  
WRITTEN PERMISSION OF  
BAKER WASTE EQUIPMENT.

|              |            |      |         |
|--------------|------------|------|---------|
| DRAWN BY:    | M. CARLIN  | DATE | 12/1/15 |
| APPROVED BY: |            | DATE |         |
|              |            | PAGE |         |
| DWG#         | S300-002-S | REV. | REV.    |