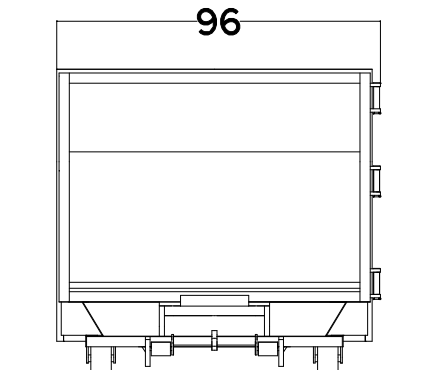
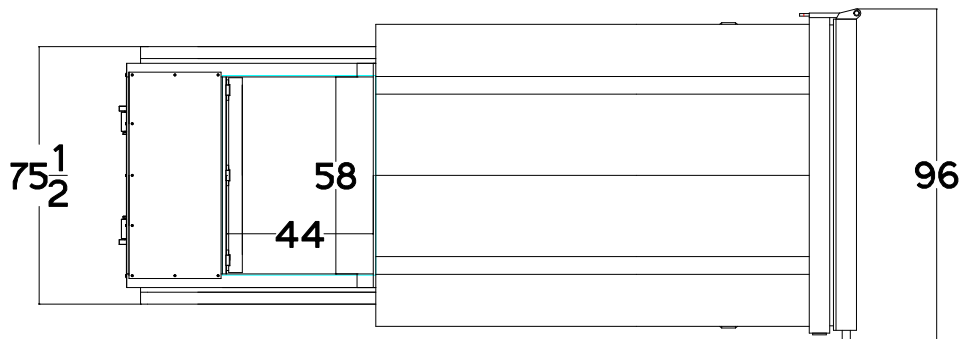


SC-20

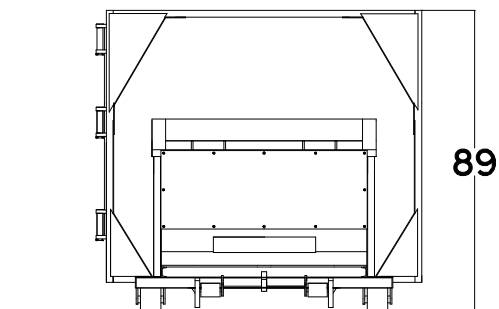
(NO FAB. OPTIONS)



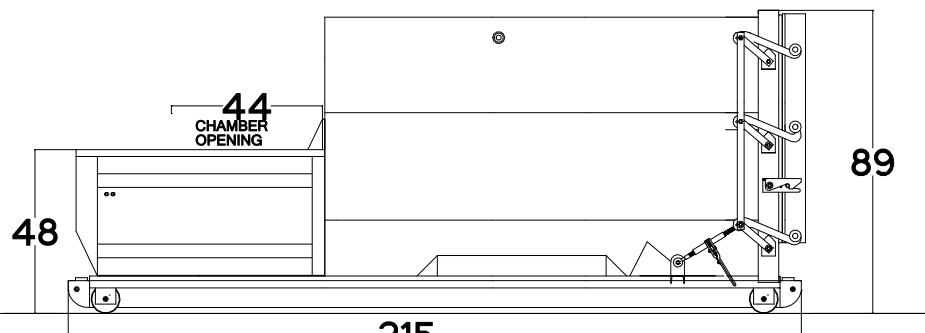
REAR VIEW



TOP VIEW



FRONT VIEW



**215
SIDE VIEW**

NOTE: DIMENSIONS ARE NOMINAL. THEY ARE A CLOSE REPRESENTATION OF ACTUAL WELDED ASSEMBLIES AND MAY CHANGE WITHOUT NOTICE.

DESCRIPTION: SELF CONTAINED 20 YD COMPACTOR



THIS DRAWING CONTAINS CONFIDENTIAL & PROPRIETARY INFORMATION AND SHALL NOT BE DISCLOSED OR COPIED WITHOUT THE EXPRESSED, WRITTEN PERMISSION OF BAKER WASTE EQUIPMENT.

| | | | |
|--------------|------------|------|----------|
| DRAWN BY: | M. CARLIN | DATE | 11/21/15 |
| APPROVED BY: | | DATE | |
| | | PAGE | 1 |
| FILE NAME | SC20-001-S | | REV. |