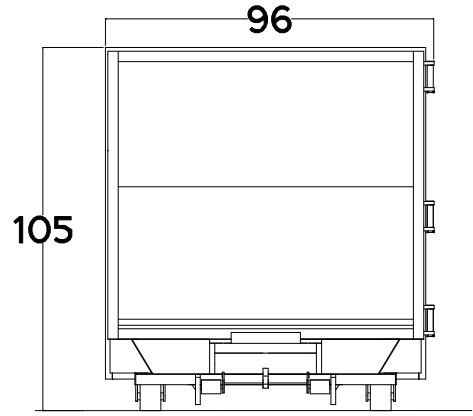
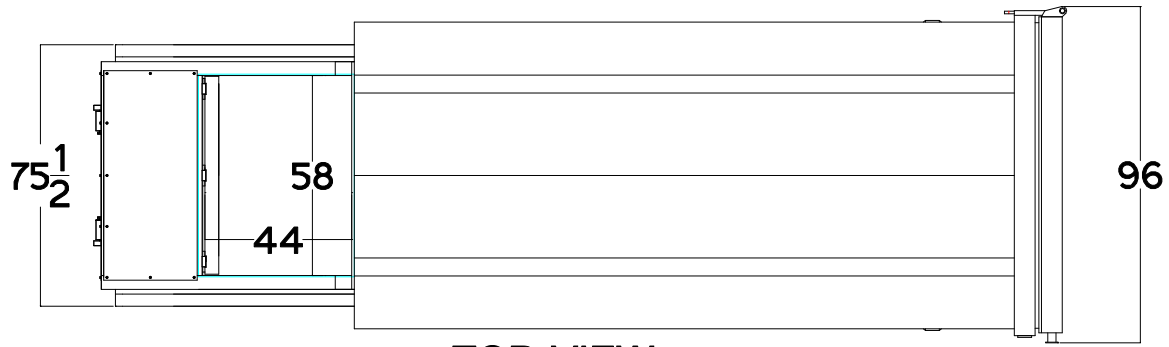


SC-35

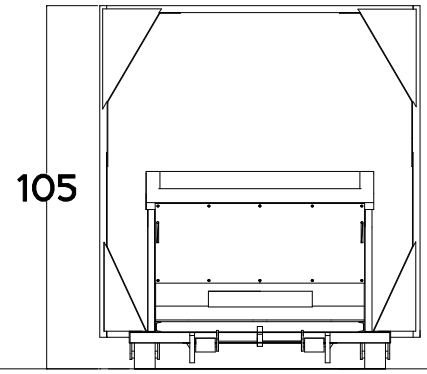
(NO FAB. OPTIONS)



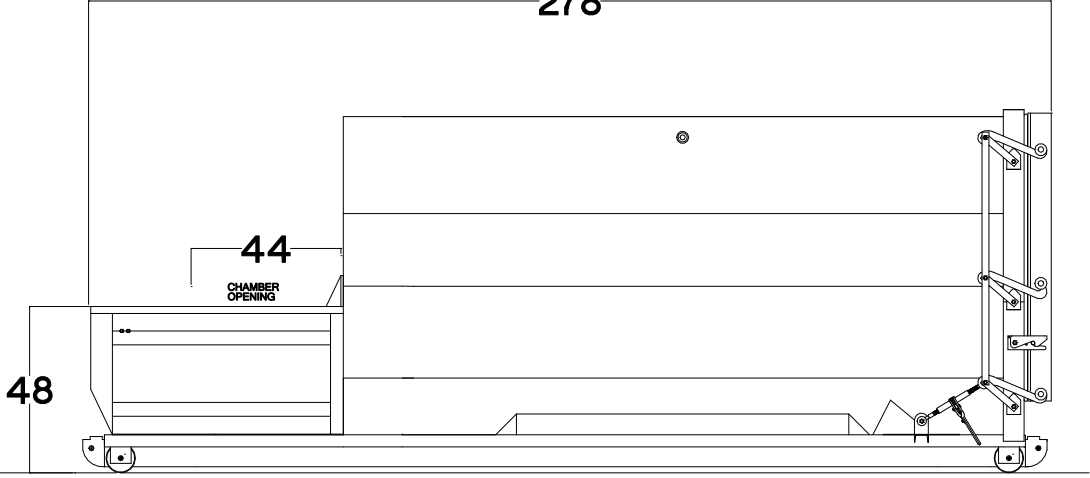
REAR VIEW



TOP VIEW



FRONT VIEW



SIDE VIEW

NOTE: DIMENSIONS ARE NOMINAL. THEY ARE A CLOSE REPRESENTATION OF ACTUAL WELDED ASSEMBLIES AND MAY CHANGE WITHOUT NOTICE.

DESCRIPTION: **SELF CONTAINED 35 YD COMPACTOR**



THIS DRAWING CONTAINS CONFIDENTIAL & PROPRIETARY INFORMATION AND SHALL NOT BE DISCLOSED OR COPIED WITHOUT THE EXPRESSED, WRITTEN PERMISSION OF BAKER WASTE EQUIPMENT.

DRAWN BY: M. CARLIN	DATE: 12/2/15
APPROVED BY:	DATE:
	PAGE: 1
FILE NAME: SC35-001-S	REV.: