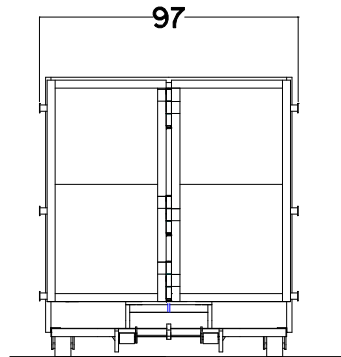
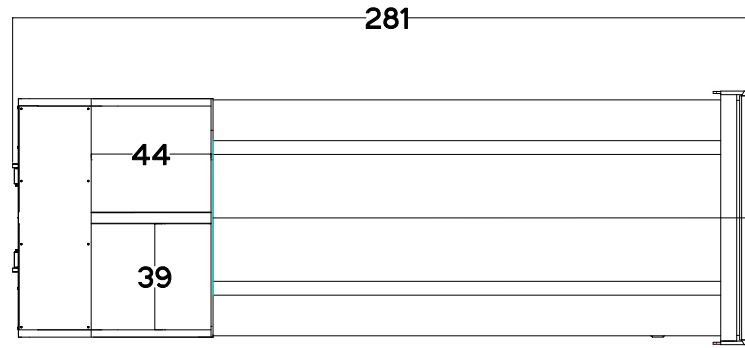


SC-35 DUAL

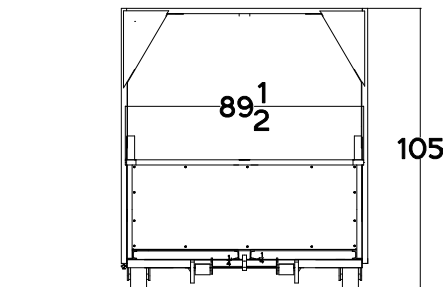
(NO FAB. OPTIONS)



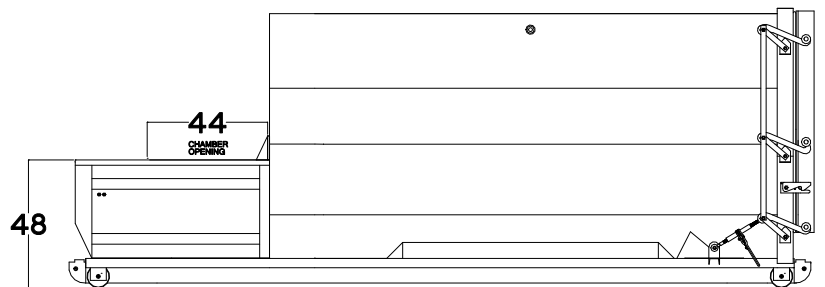
REAR VIEW



TOP VIEW



FRONT VIEW



SIDE VIEW

NOTE: DIMENSIONS ARE NOMINAL. THEY ARE A CLOSE REPRESENTATION OF ACTUAL WELDED ASSEMBLIES AND MAY CHANGE WITHOUT NOTICE.

DESCRIPTION: SC-35 DUAL COMPARTMENT



THIS DRAWING CONTAINS CONFIDENTIAL & PROPRIETARY INFORMATION AND SHALL NOT BE DISCLOSED OR COPIED WITHOUT THE EXPRESSED, WRITTEN PERMISSION OF BAKER WASTE EQUIPMENT.

DRAWN BY:	M.CARLIN	DATE	12/2/15
APPROVED BY:		DATE	
		PAGE	1
FILE NAME	SC35Dual-001-S		
		REV.	