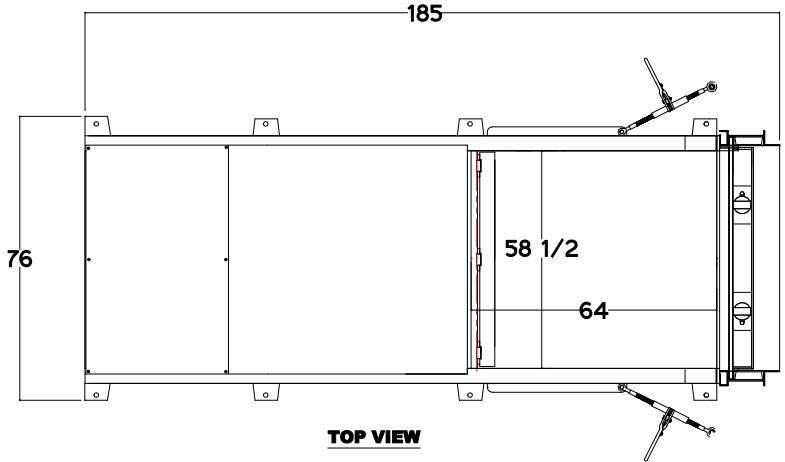
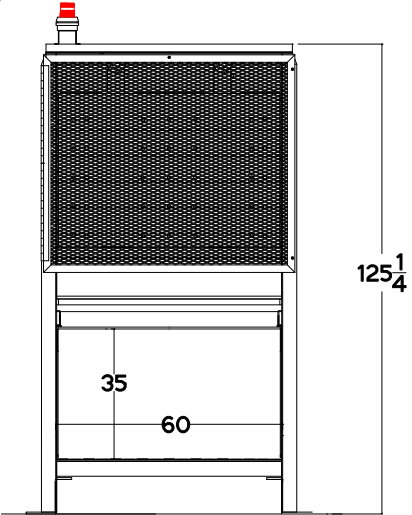


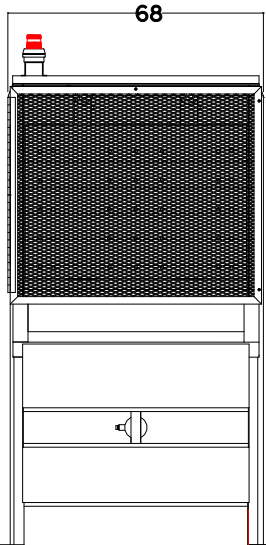
**PCCG-400**  
(NO FABRICATED LOAD OPTION)



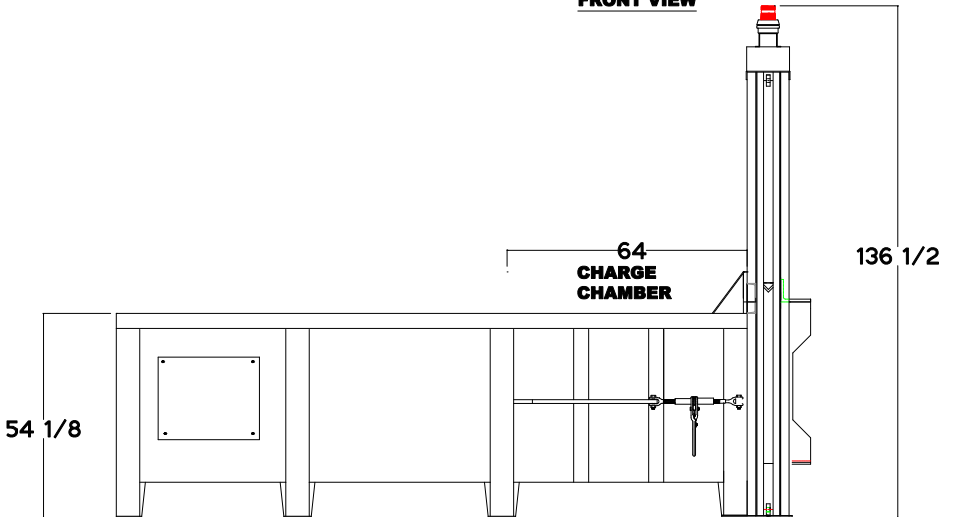
**TOP VIEW**



**FRONT VIEW**



**REAR VIEW**



**SIDE VIEW**

DESCRIPTION: **PCCG-400 PRECRUSHER**



THIS DRAWING CONTAINS  
CONFIDENTIAL &  
PROPRIETARY INFORMATION  
AND SHALL NOT BE  
DISCLOSED OR COPIED  
WITHOUT THE EXPRESSED,  
WRITTEN PERMISSION OF  
BAKER WASTE EQUIPMENT.

**NOTE:** DIMENSIONS ARE NOMINAL. THEY ARE A CLOSE REPRESENTATION OF ACTUAL WELDED ASSEMBLIES AND MAY CHANGE WITHOUT NOTICE.

DRAWN BY:	M. CARLIN	DATE	11/21/15
APPROVED BY:		DATE	
		PAGE	1
FILE NAME	PCCG400-001-S		REV.