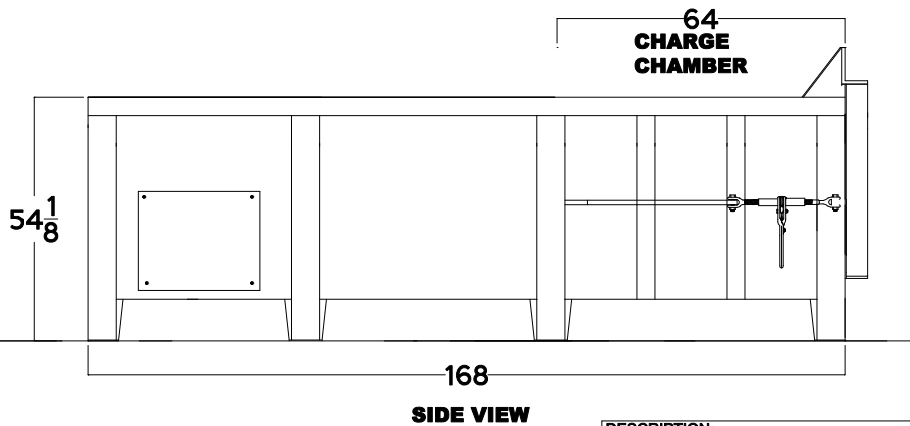
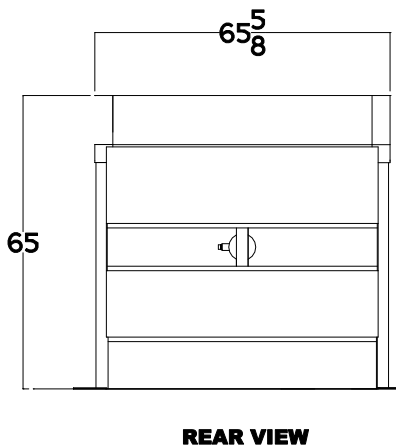
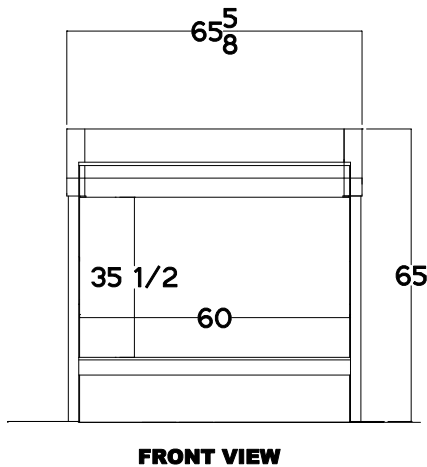
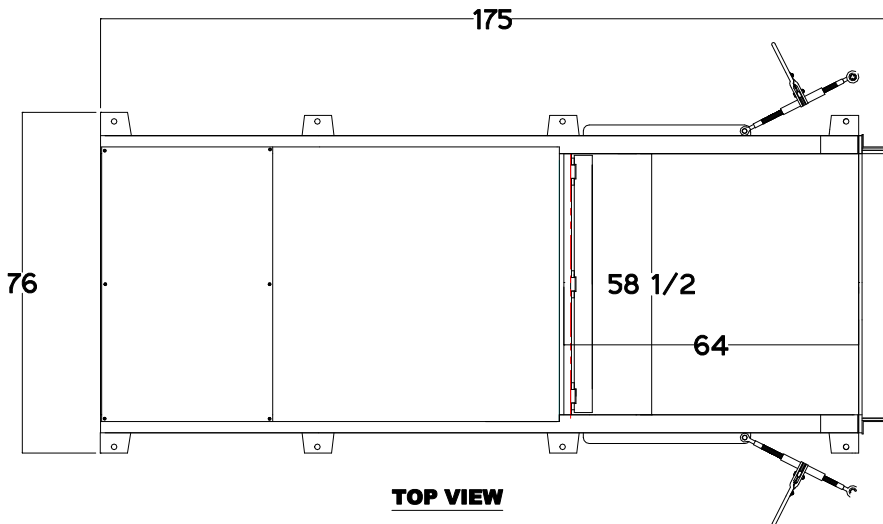


S-400
(NO FABRICATED LOAD OPTION)



NOTE: DIMENSIONS ARE NOMINAL. THEY ARE A CLOSE REPRESENTATION OF ACTUAL WELDED ASSEMBLIES AND MAY CHANGE WITHOUT NOTICE.

DESCRIPTION: **S-400 COMPACTOR**



THIS DRAWING CONTAINS
CONFIDENTIAL &
PROPRIETARY INFORMATION
AND SHALL NOT BE
DISCLOSED OR COPIED
WITHOUT THE EXPRESSED,
WRITTEN PERMISSION OF
BAKER WASTE EQUIPMENT.

| | | | |
|--------------|------------|------|----------|
| DRAWN BY: | M. CARLIN | DATE | 10/28/15 |
| APPROVED BY: | | DATE | |
| | | PAGE | 1 |
| FILE NAME | S400-001-S | | REV. |