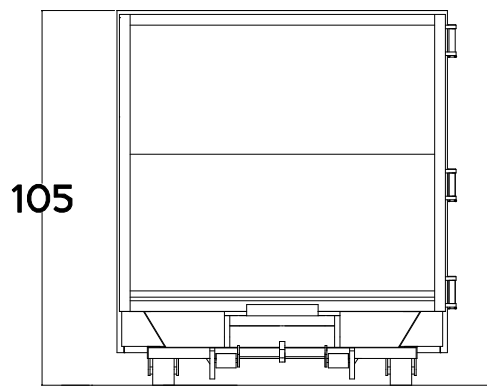
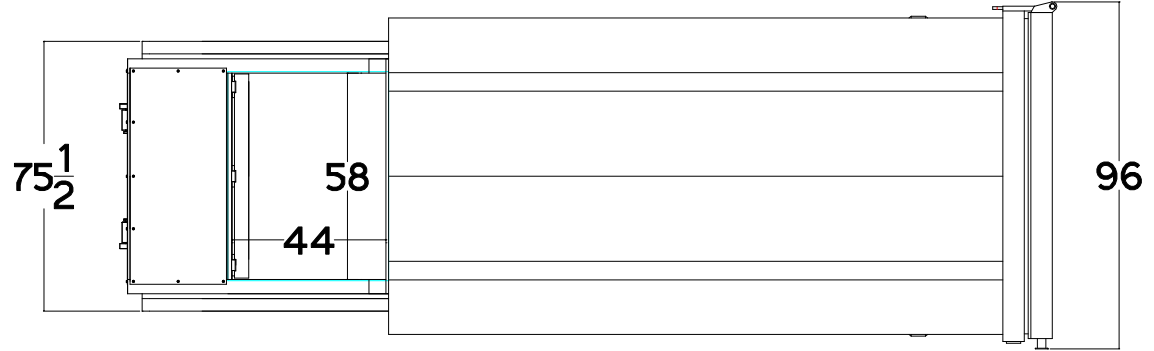


SC-30

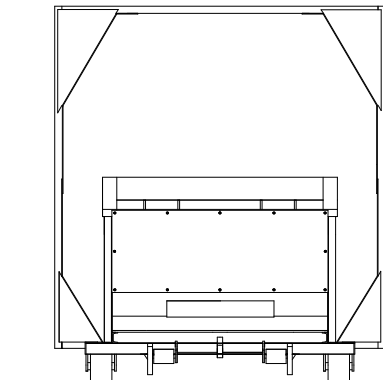
(NO FAB. OPTIONS)



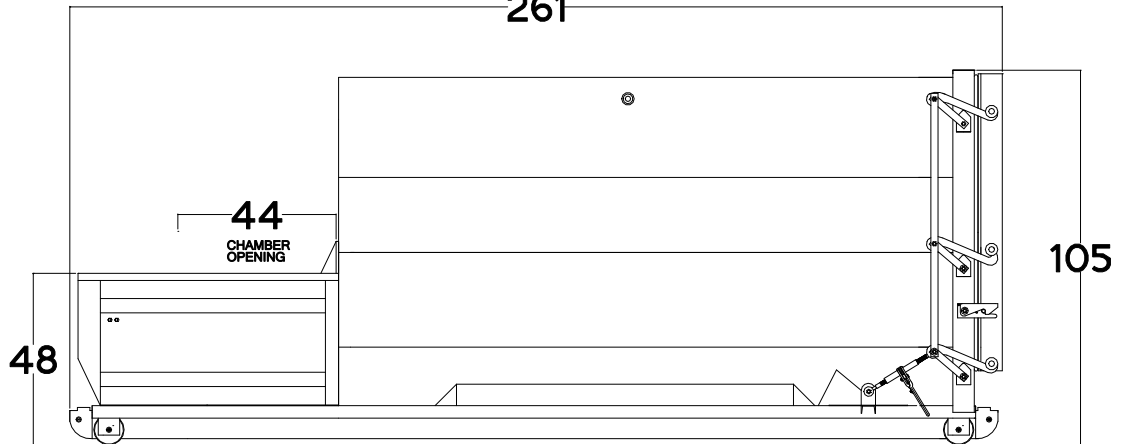
REAR VIEW



TOP VIEW



FRONT VIEW



SIDE VIEW

NOTE: DIMENSIONS ARE NOMINAL. THEY ARE A CLOSE REPRESENTATION OF ACTUAL WELDED ASSEMBLIES AND MAY CHANGE WITHOUT NOTICE.

DESCRIPTION: SELF CONTAINED 30 YD COMPACTOR



THIS DRAWING CONTAINS CONFIDENTIAL & PROPRIETARY INFORMATION AND SHALL NOT BE DISCLOSED OR COPIED WITHOUT THE EXPRESSED, WRITTEN PERMISSION OF BAKER WASTE EQUIPMENT.

NOTES:

DRAWN BY: M. CARLIN DATE: 12/2/15

APPROVED BY: DATE:

PAGE: 1

DRAWING NAME:

FILE NAME: REV.

SC30-001-S