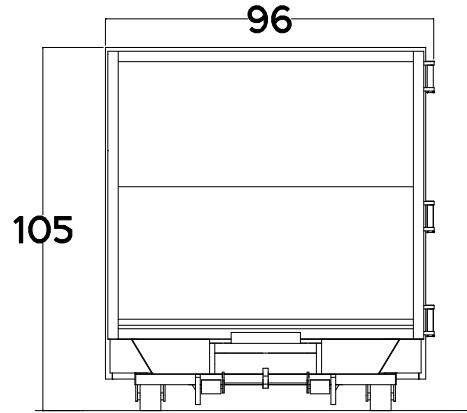
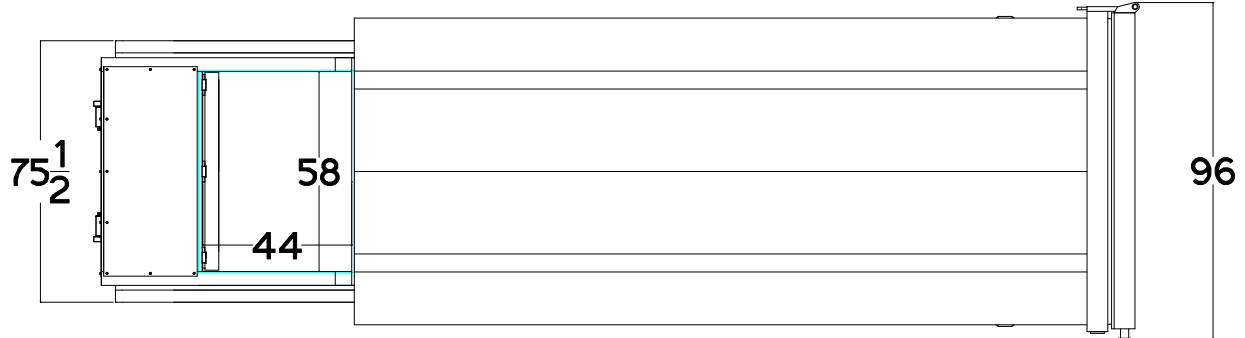


# SC-39

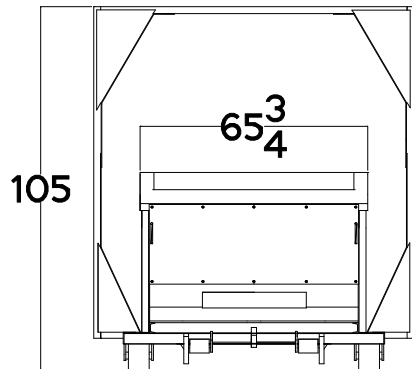
(NO FAB. OPTIONS)



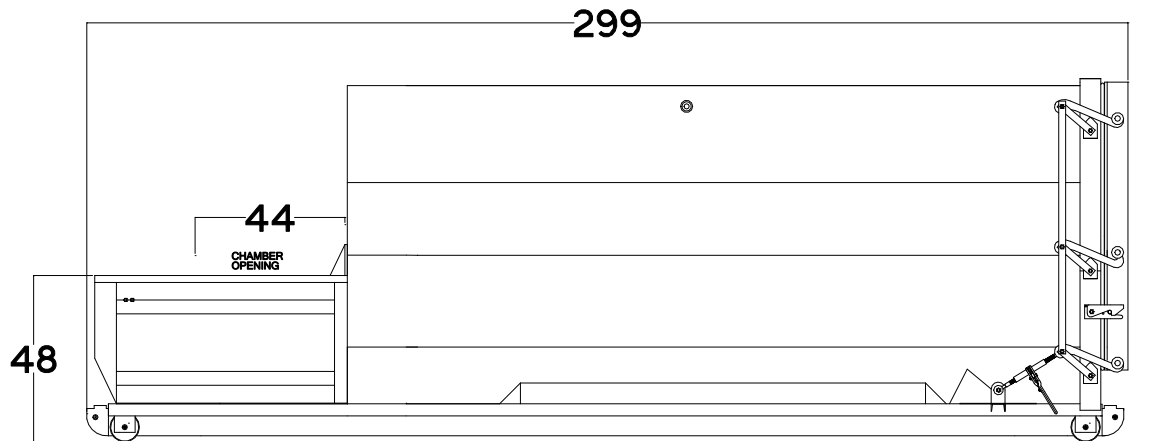
**REAR VIEW**



**TOP VIEW**



**FRONT VIEW**



**SIDE VIEW**

**NOTE:** DIMENSIONS ARE NOMINAL. THEY ARE A CLOSE REPRESENTATION OF ACTUAL WELDED ASSEMBLIES AND MAY CHANGE WITHOUT NOTICE.

DESCRIPTION: **SELF CONTAINED 39 YD COMPACTOR**



THIS DRAWING CONTAINS CONFIDENTIAL & PROPRIETARY INFORMATION AND SHALL NOT BE DISCLOSED OR COPIED WITHOUT THE EXPRESSED, WRITTEN PERMISSION OF BAKER WASTE EQUIPMENT.

DRAWN BY: <b>M. CARLIN</b>	DATE: <b>12/2/15</b>
APPROVED BY:	DATE:
	PAGE: <b>1</b>
FILE NAME: <b>SC39-001-S</b>	REV.: