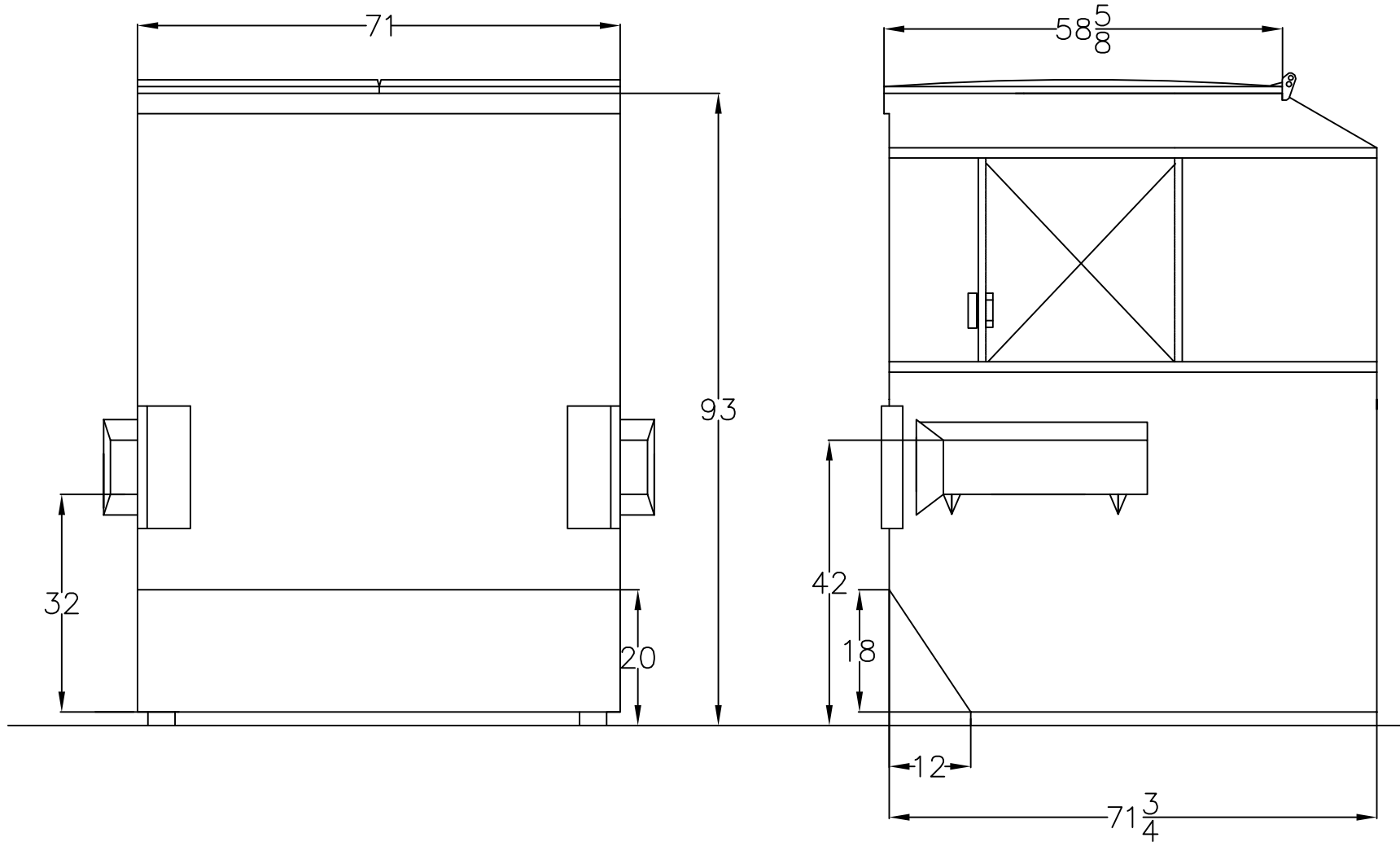


TOLERANCES ± .0625



DRAWING NO.		MATERIAL:	
THIS DRAWING CONTAINS CONFIDENTIAL & PROPRIETARY INFORMATION AND SHALL NOT BE DISCLOSED OR COPIED WITHOUT THE EXPRESSED, WRITTEN PERMISSION OF BAKER WASTE EQUIPMENT.		<b>BWE</b> BAKER WASTE EQUIPMENT LENOIR, N. CAROLINA 28645	
NOTES:		APPROVED BY:	DATE:
DRAWING NAME:		FILE NAME:	REV.:
<b>FL 10 NBF</b>		XXXXXXXXXX	