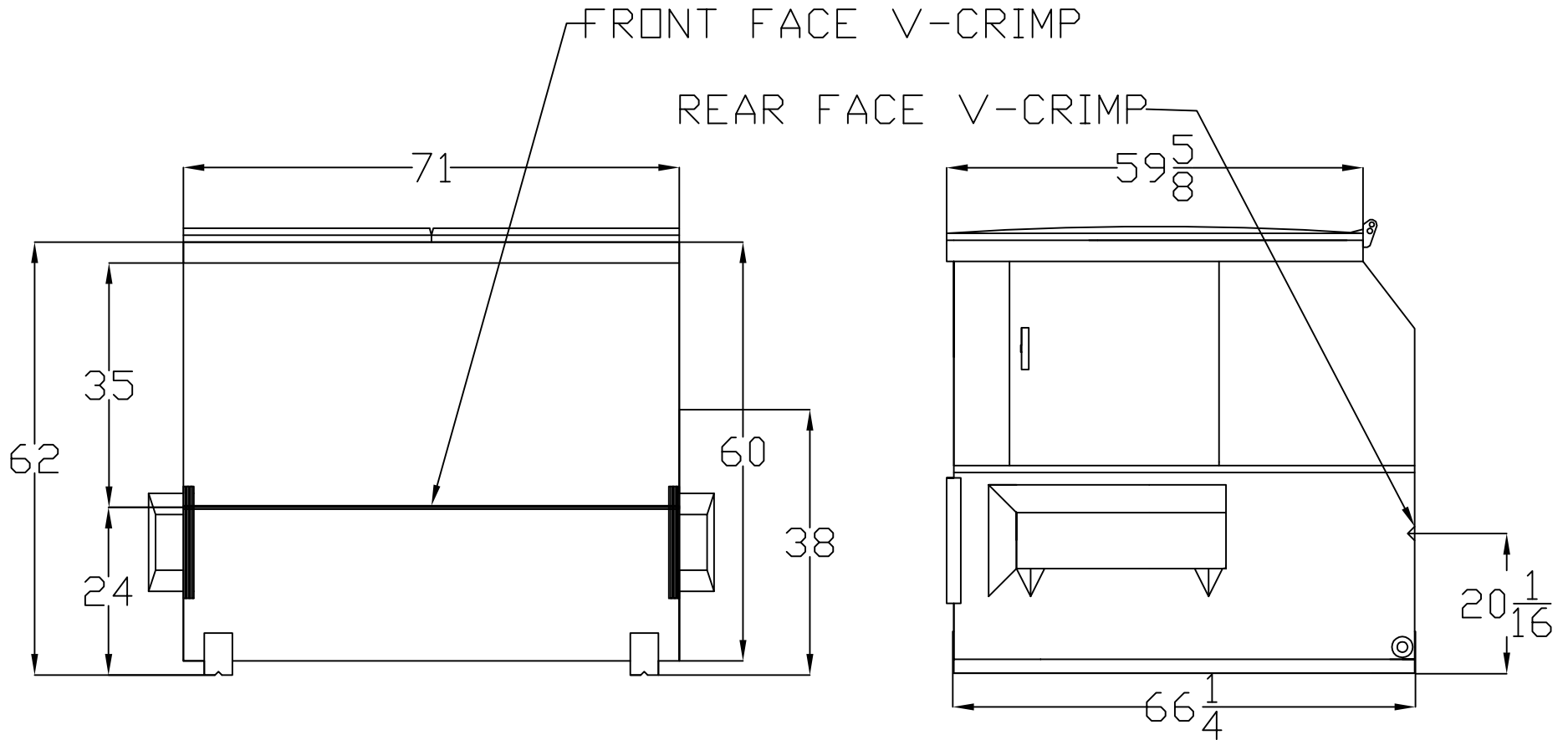


TOLERANCES $\pm .0625$



DRAWING NO.		MATERIAL:	
THIS DRAWING CONTAINS CONFIDENTIAL & PROPRIETARY INFORMATION AND SHALL NOT BE DISCLOSED OR COPIED WITHOUT THE EXPRESSED, WRITTEN PERMISSION OF BAKER WASTE EQUIPMENT.		BWE BAKER WASTE EQUIPMENT LENOIR, NC 28645	
NOTES:		DRAWN BY: M. ROSEBROCK	
		APPROVED BY:	
		DATE:	
		PAGE: 1	
DRAWING NAME: FL 6 NB		FILE NAME: XXXXXXXXXX	
		REV.	