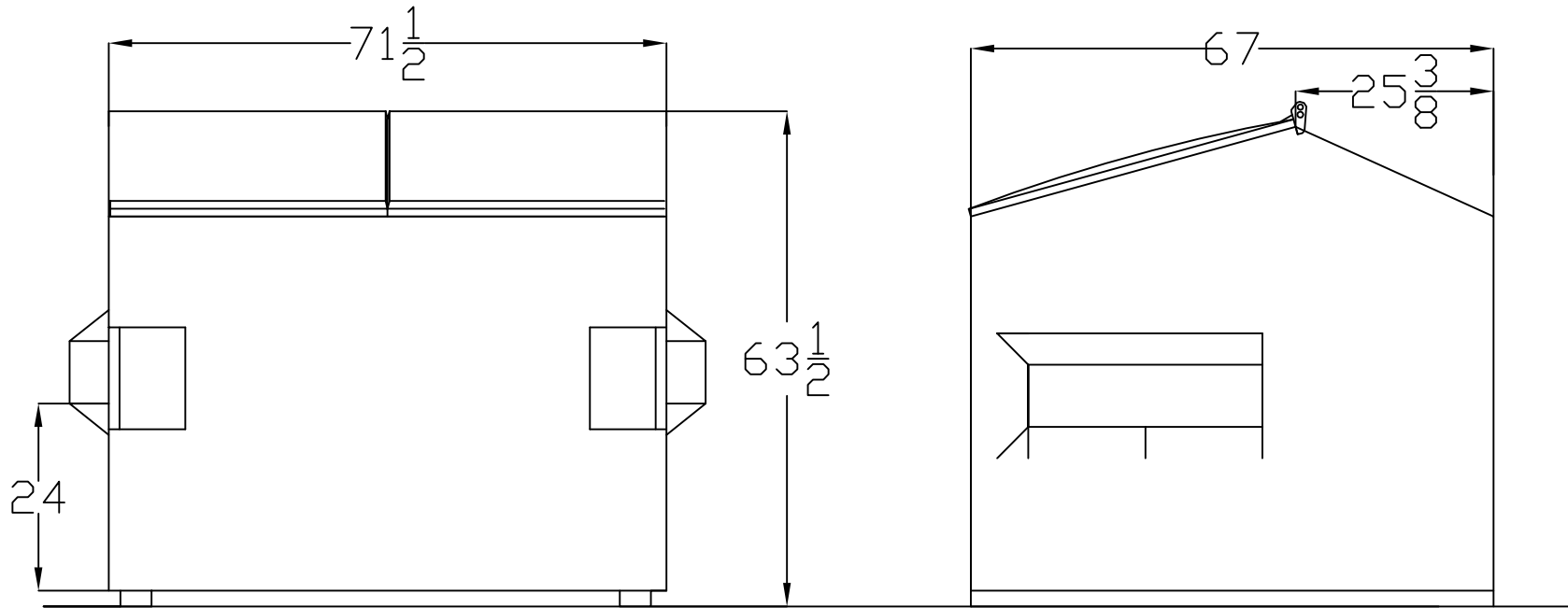


TOLERANCES ± .0625



DRAWING NO.		MATERIAL:	
THIS DRAWING CONTAINS CONFIDENTIAL & PROPRIETARY INFORMATION AND SHALL NOT BE DISCLOSED OR COPIED WITHOUT THE EXPRESSED, WRITTEN PERMISSION OF BAKER WASTE EQUIPMENT.		<b>BWE</b> BAKER WASTE EQUIPMENT LENOIR, NC 28645	
NOTES:		DRAWN BY: M. ROSEBROCK	
		DATE 11/27/09	
DRAWING NAME:		APPROVED BY:	
		DATE	
FILE NAME: <b>FL 6 SNB</b>		PAGE 1	
		REV.	
FILE NAME: XXXXXXXXXX		REV.	