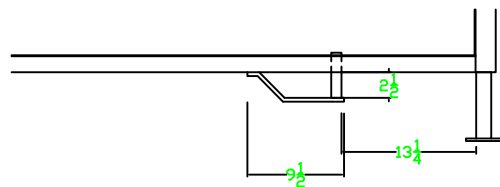
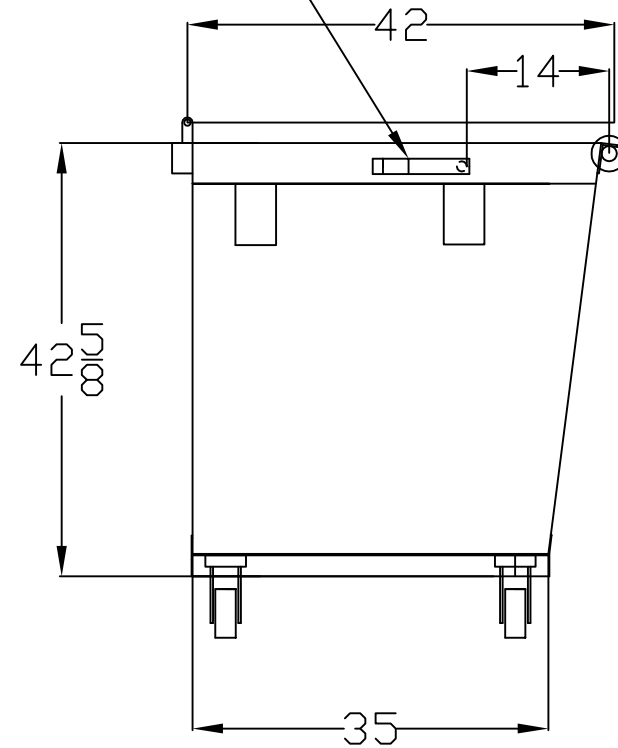



SIDE HANDLE



SIDE HANDLE DETAIL

1. EQUIPPED WITH (2) 31 X 42 LIDS
2. CAPACITY: 2.0 YD
3. NESTABLE WITH LIDS REMOVED

DRAWING NO.		MATERIAL:	
THIS DRAWING CONTAINS CONFIDENTIAL & PROPRIETARY INFORMATION AND SHALL NOT BE DISCLOSED OR COPIED WITHOUT THE EXPRESSED, WRITTEN PERMISSION OF BAKER WASTE EQUIPMENT.		 BAKER WASTE EQUIPMENT	
		LENOIR, N. CAROLINA 28645	
NOTES:		DRAWN BY: SWANGER	DATE 05/16/19
		APPROVED BY:	DATE
DRAWING NAME: ANSI RL2F-1		PAGE 1	
		FILE NAME RL2F-1 ANSI	REV.