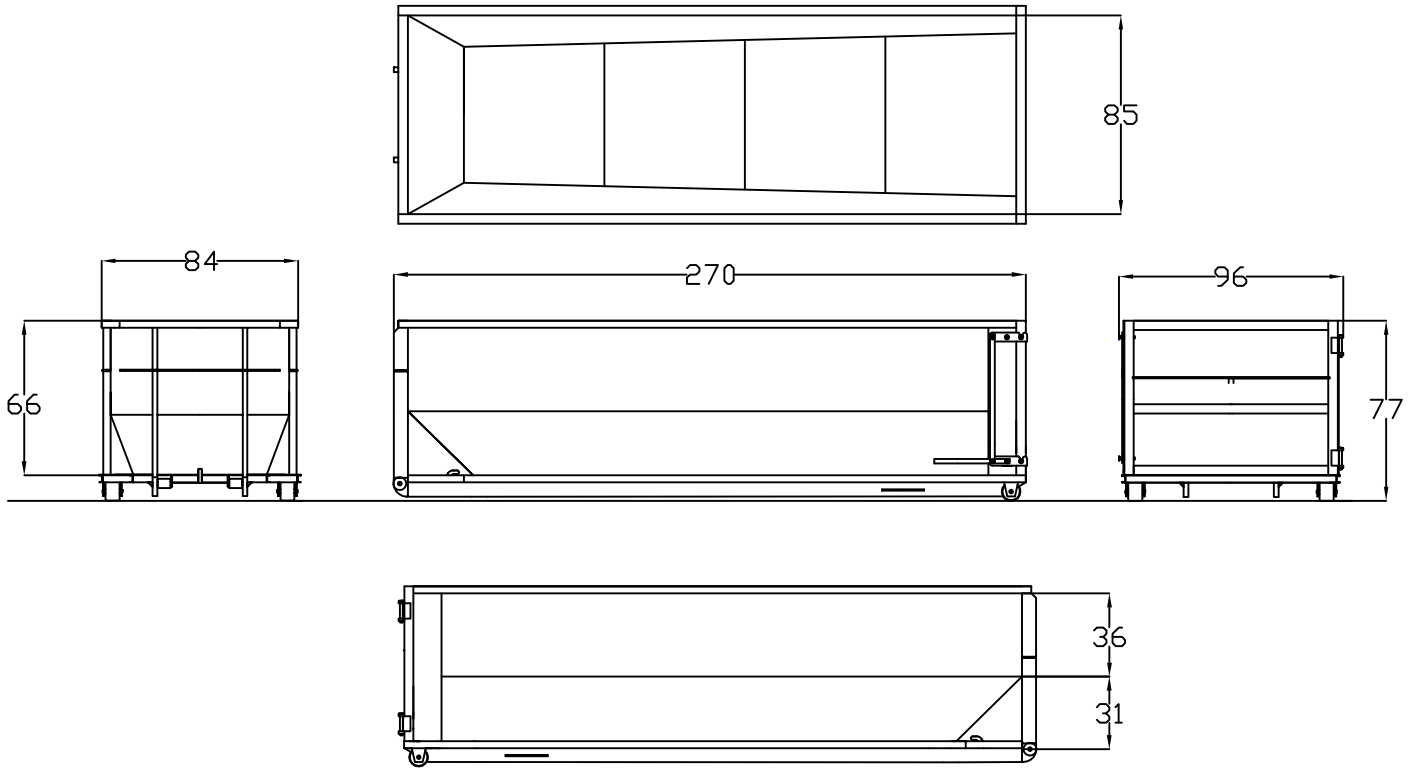


TOLERANCES ± .0625



DRAWING NO.		MATERIAL:	
THIS DRAWING CONTAINS CONFIDENTIAL & PROPRIETARY INFORMATION AND SHALL NOT BE DISCLOSED OR COPIED WITHOUT THE EXPRESSED, WRITTEN PERMISSION OF BAKER WASTE EQUIPMENT.		BWE BAKER WASTE EQUIPMENT LENOIR, NC 28645	
		DESIGNED BY:	03/27/20
		APPROVED BY:	DATE
DRAWING NAME: ROT 30-22		PAGE:	1
		FILE NAME: XXXXXXXXXX	REV.