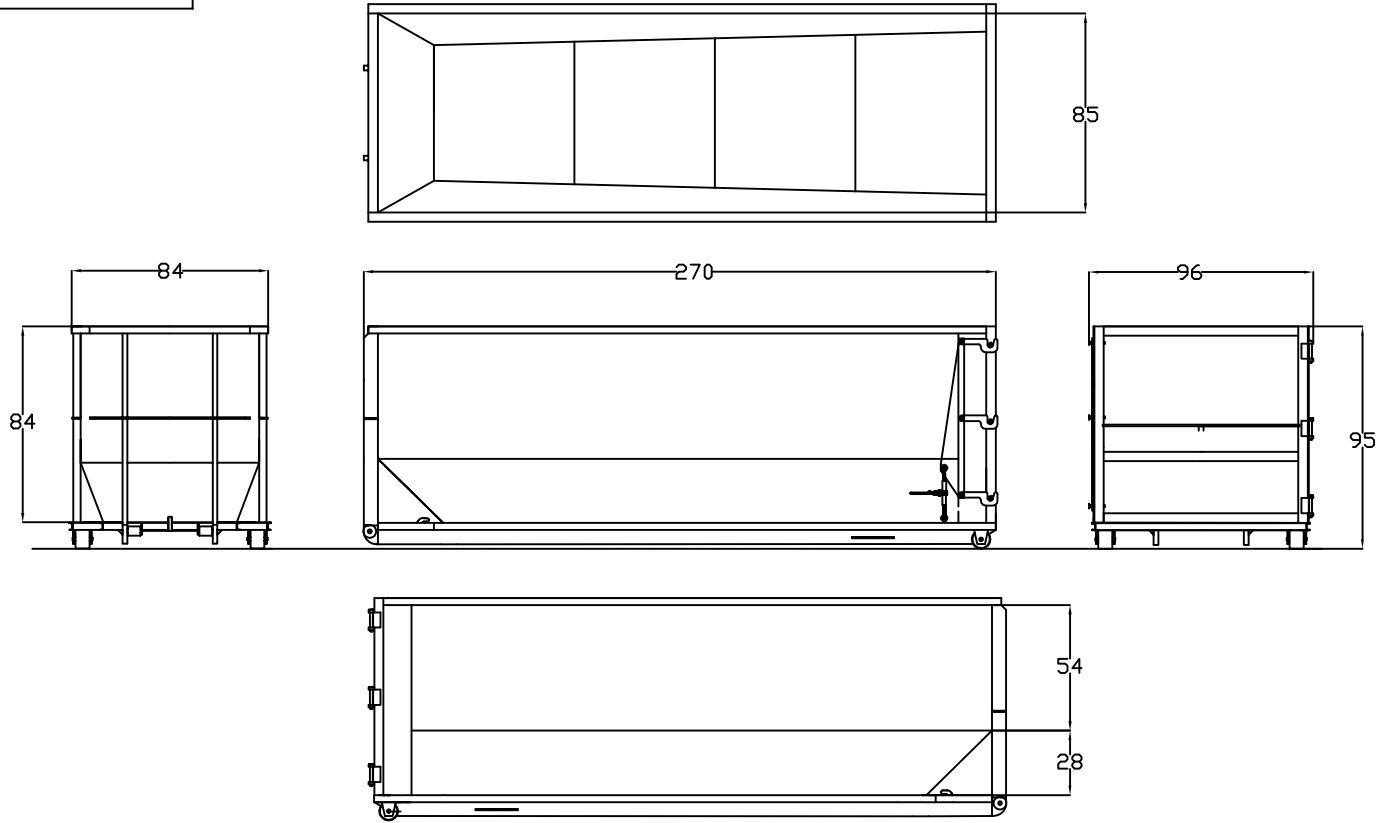


TOLERANCES ± .0625



DRAWING NO.		MATERIAL:	
THIS DRAWING CONTAINS CONFIDENTIAL & PROPRIETARY INFORMATION AND SHALL NOT BE DISCLOSED OR COPIED WITHOUT THE EXPRESSED WRITTEN PERMISSION OF BAKER WASTE EQUIPMENT.		BWE BAKER WASTE EQUIPMENT LENOIR, NC 28645	
NOTES:		APPROVED BY:	DATE: 04/09/20
			PAGE: 1
DRAWING NAME:		FILE NAME:	REV.:
ROT 40-22		XXXXXXXXXX	