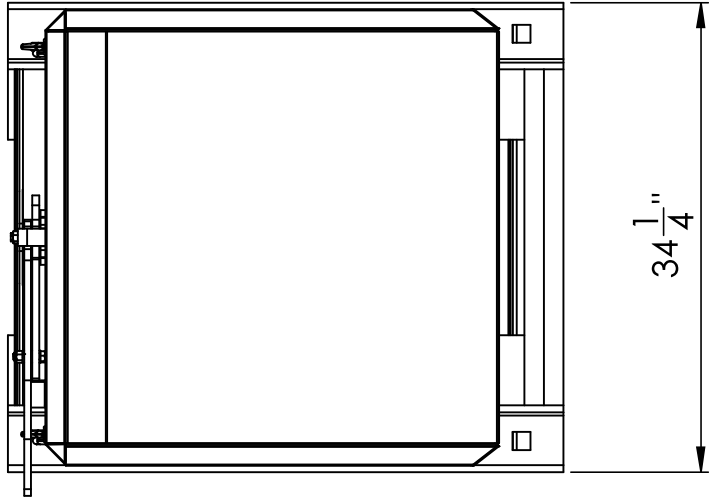
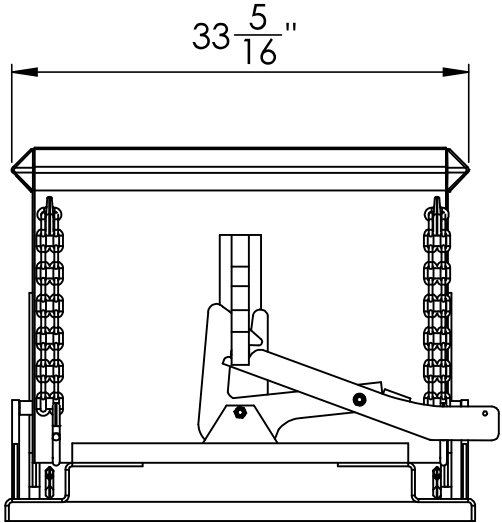


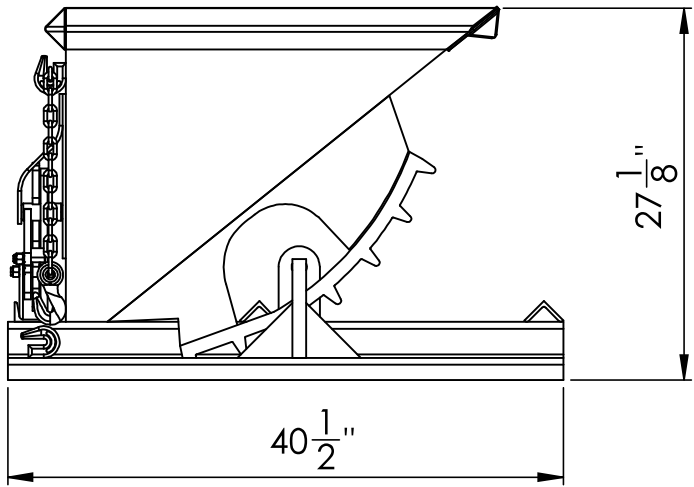
REV	BY	DATE	DESCRIPTION



**TOP VIEW**



**FRONT VIEW**



**SIDE VIEW**

**PROPRIETARY AND CONFIDENTIAL**

THE INFORMATION CONTAINED IN THIS DRAWING IS THE SOLE PROPERTY OF BAKERS WASTE EQUIPMENT INC. ANY REPRODUCTION IN PART OR AS A WHOLE WITHOUT THE WRITTEN PERMISSION OF BAKERS WASTE EQUIPMENT INC. IS PROHIBITED.

**SOURCE**

**OH/CT/PU**

**XX**

**TITLE: 1/4 YARD SELF DUMPING HOPPER  
CUSTOMER SUBMITTAL DRAWING**



**BAKERS WASTE EQUIPMENT, INC.**  
1808 Norwood St SW  
Lenoir, NC 28645

**TOLERANCES:**

FRACTION	+0, -1/16"
BEND	± 2°

NAME

DRW	M.L
CHK	XX

DATE

09/17/2020

SIZE  
**A**

DWG. NO.

**SDH-.25YARD-00A**

REV

**XX**

SCALE: 1:14

SHEET 2 OF 2