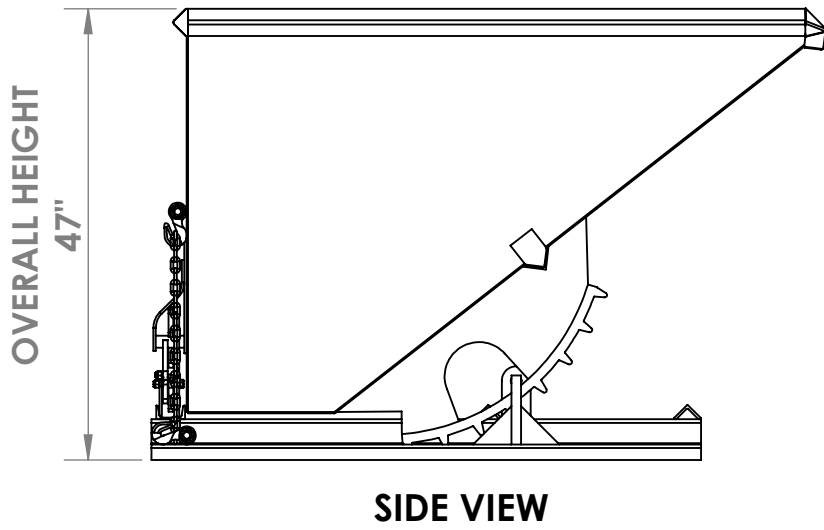
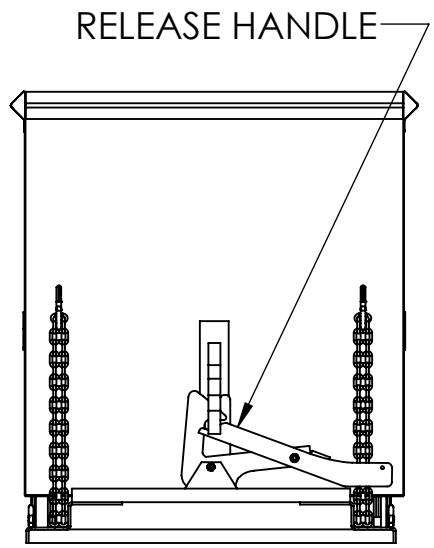
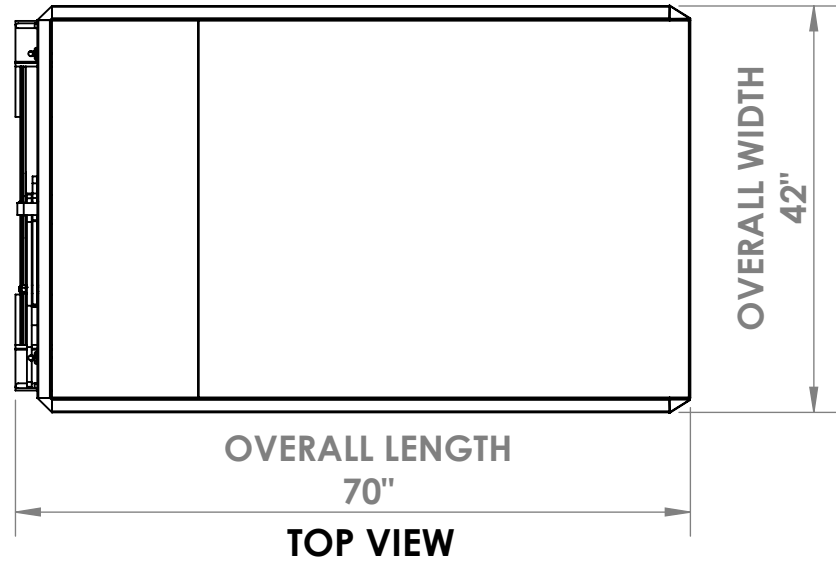


REV.	BY	DATE	DESCRIPTION



PROPRIETARY AND CONFIDENTIAL
 THE INFORMATION CONTAINED IN THIS DRAWING IS THE SOLE PROPERTY OF BAKERS WASTE EQUIPMENT INC. ANY REPRODUCTION IN PART OR AS A WHOLE WITHOUT THE WRITTEN PERMISSION OF BAKERS WASTE EQUIPMENT INC. IS PROHIBITED.



BAKERS WASTE EQUIPMENT, INC.
 1808 Norwood St SW
 Lenoir, NC 28645

SOURCE		OH/CT/PU		XX	
TOLERANCES:				NAME	DATE
FRACTION	+0, -1/16"	DRW	M.L	06/08/2020	
BEND	± 2°	CHK	XX	XX	

TITLE: 1.5 YARD SELF DUMPING HOPPER					
CUSTOMER SUBMITTAL DRAWING					
SIZE	DWG. NO.				REV
A	SDH-1-1.5YARD-00A				XX
SCALE: 1:20				SHEET 2 OF 2	