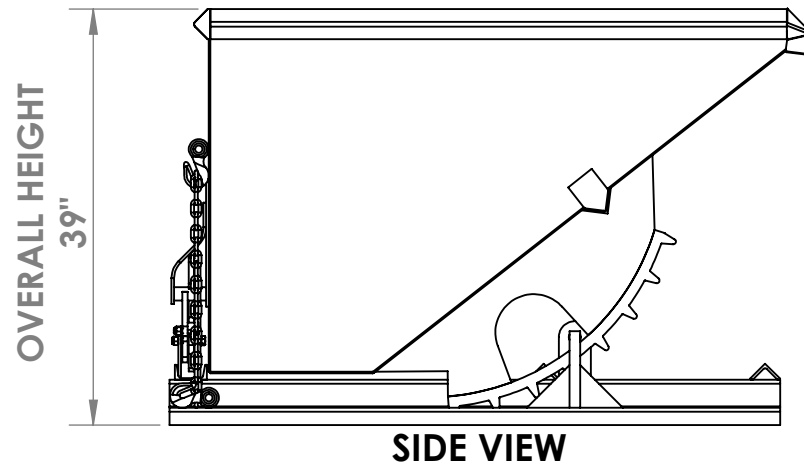
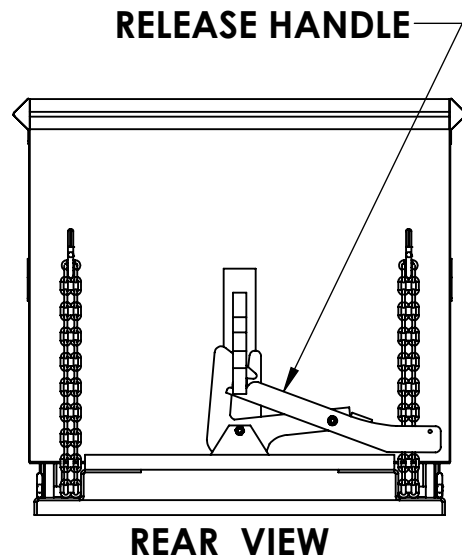
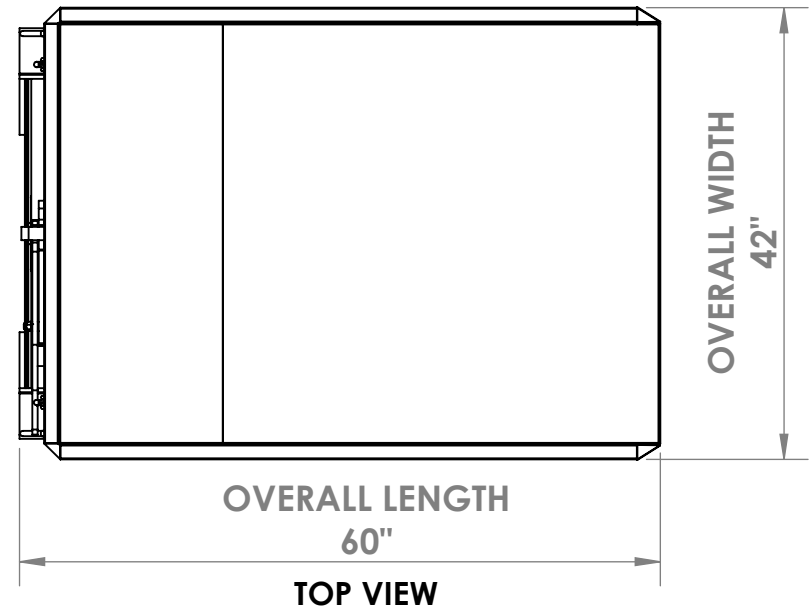


REV.	BY	DATE	DESCRIPTION



**PROPRIETARY AND CONFIDENTIAL**

THE INFORMATION CONTAINED IN THIS DRAWING IS THE SOLE PROPERTY OF BAKERS WASTE EQUIPMENT INC. ANY REPRODUCTION IN PART OR AS A WHOLE WITHOUT THE WRITTEN PERMISSION OF BAKERS WASTE EQUIPMENT INC. IS PROHIBITED.



**BAKERS WASTE EQUIPMENT, INC.**  
 1808 Norwood St SW  
 Lenoir, NC 28645

SOURCE		OH/CT/PU		XX	TITLE: 1 YARD SELF DUMPING HOPPER CUSTOMER SUBMITTAL DRAWING		
TOLERANCES:		NAME	DATE	SIZE	DWG. NO.	REV	
FRACTION	+0, -1/16"	DRW	M.L	06/25/2020	<b>A</b> SDH-1-YARD-00A	XX	
BEND	± 2°	CHK	XX	XX			SCALE: 1:18