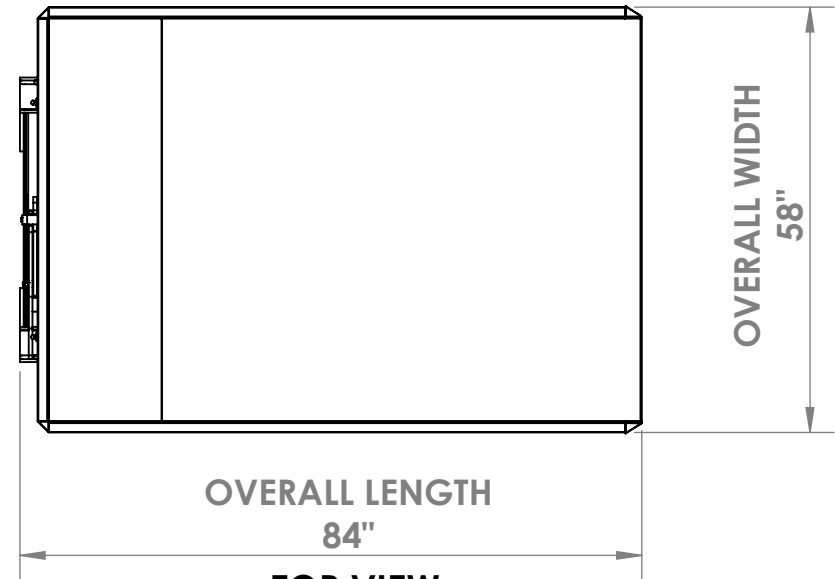
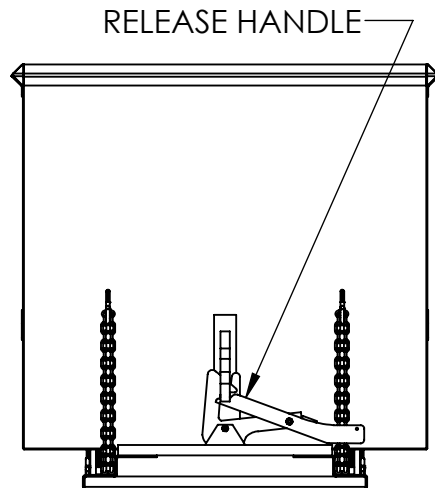


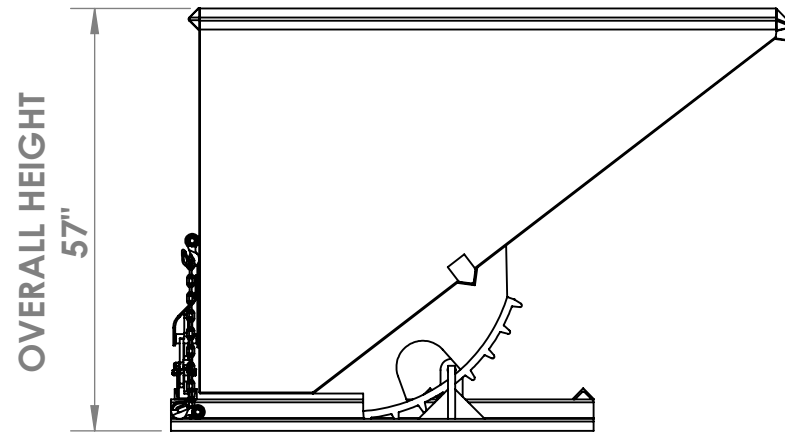
REV.	BY	DATE	DESCRIPTION



**TOP VIEW**



**REAR VIEW**



**SIDE VIEW**

**PROPRIETARY AND CONFIDENTIAL**

THE INFORMATION CONTAINED IN THIS DRAWING IS THE SOLE PROPERTY OF BAKERS WASTE EQUIPMENT INC. ANY REPRODUCTION IN PART OR AS A WHOLE WITHOUT THE WRITTEN PERMISSION OF BAKERS WASTE EQUIPMENT INC. IS PROHIBITED.



**BAKERS WASTE EQUIPMENT, INC.**  
 1808 Norwood St SW  
 Lenoir, NC 28645

**SOURCE**

**OH/CT/PU**

**XX**

**TITLE: 3 YARD SELF DUMPING HOPPER  
 CUSTOMER SUBMITTAL DRAWING**

**TOLERANCES:**

FRACTION	+0, -1/16"
BEND	± 2°

**NAME**

DRW	M.L
CHK	XX

**DATE**

06/08/2020

**SIZE**

**DWG. NO.**

**A SDH-3YARD-00A**

**REV**

**XX**

SCALE: 1:26

SHEET 2 OF 2