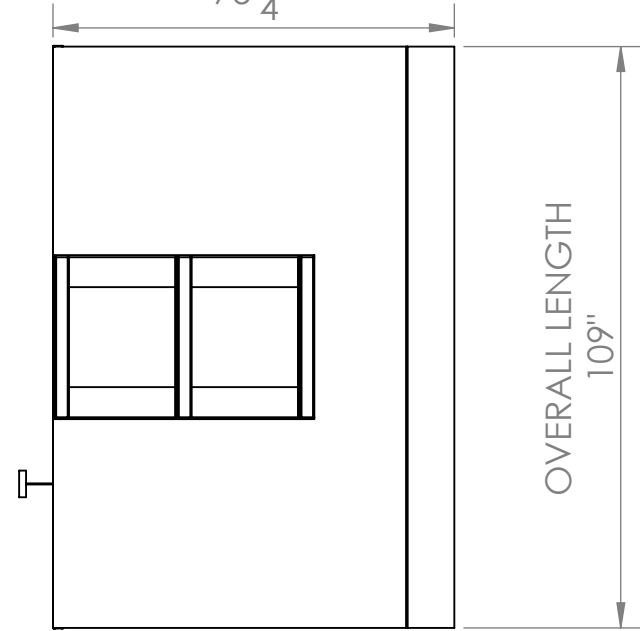


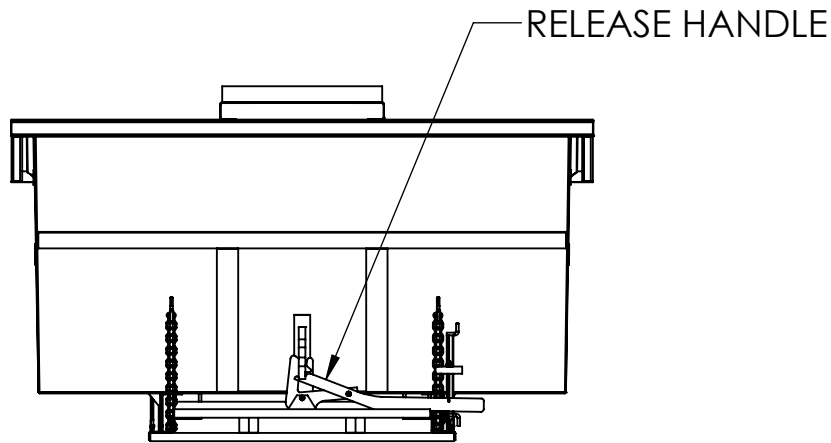
REV.	BY	DATE	DESCRIPTION

OVERALL WIDTH

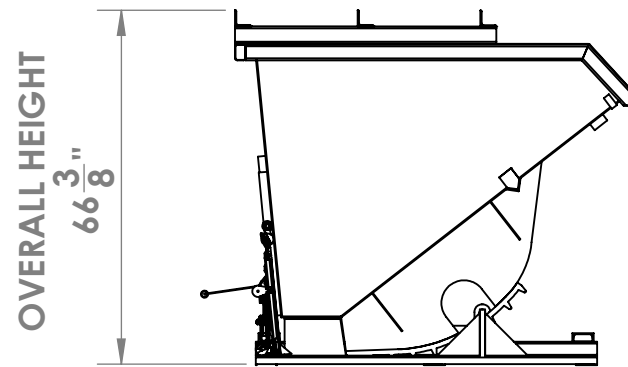
75 <sup>1</sup>/<sub>4</sub>"



TOP VIEW



REAR VIEW



SIDE VIEW

**PROPRIETARY AND CONFIDENTIAL**

THE INFORMATION CONTAINED IN THIS DRAWING IS THE SOLE PROPERTY OF BAKERS WASTE EQUIPMENT INC. ANY REPRODUCTION IN PART OR AS A WHOLE WITHOUT THE WRITTEN PERMISSION OF BAKERS WASTE EQUIPMENT INC. IS PROHIBITED.

SOURCE

OH/CT/PU

XX

TITLE: 5 YARD SELF DUMPING HOPPER  
CUSTOMER SUBMITTAL DRAWING



**BAKERS WASTE EQUIPMENT, INC.**  
1808 Norwood St SW  
Lenoir, NC 28645

TOLERANCES:

FRACTION	+0, -1/16"
BEND	± 2°

NAME	DATE	SIZE	DWG. NO.	REV
DRW	06/09/2020	<b>A</b>	SDH-5YARD-00A	XX
CHK	XX	SCALE: 1:36		SHEET 5 OF 5