

PINNACLE DUMPERS & TIPPER

FOR USE WITH STANDARD AND CUSTOM CARTS & CONTAINERS



CONFIGURATIONS

- Ground Level or Dock Level
- Integrated or Stand-Alone
- Custom Designs for any Application
- Fork Style and Box Style
- Heavy Duty Solutions for High Volumes



INNOVATIVE SOLUTIONS FOR COMMERCIAL AND INDUSTRIAL APPLICATIONS

PinnacleCompactors.com

APPLICATIONS:

Manufacturing & Processing Facilities
Distribution Centers & Warehouses
Waste Transfer Stations
Transit Centers & Airports
Hospitals & Senior Care Residential Living
Shopping Malls & Entertainment Complexes
Universities & Stadiums

POWER UNITS

Integrate with your existing Power Unit
Pinnacle "Stand Alone" Power Unit
Pinnacle Tipper & Compactor Integrated
Available "Auto-Run" for High Volume

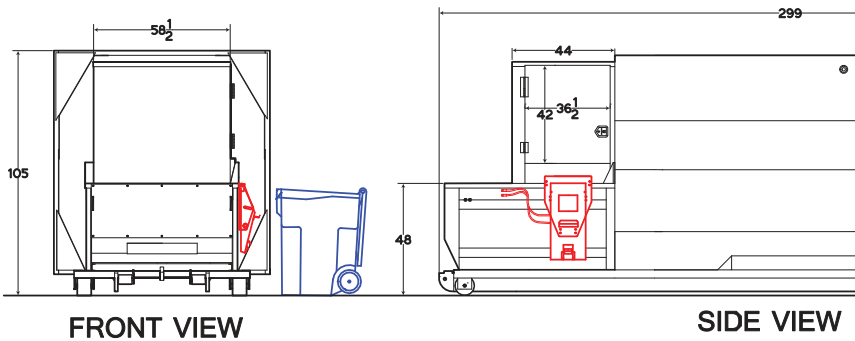
CARTS, CONTAINERS & COMPACTORS

2-4 cu.yd. "trainable" carts
Plastic or Steel "roll out" containers
Custom containers

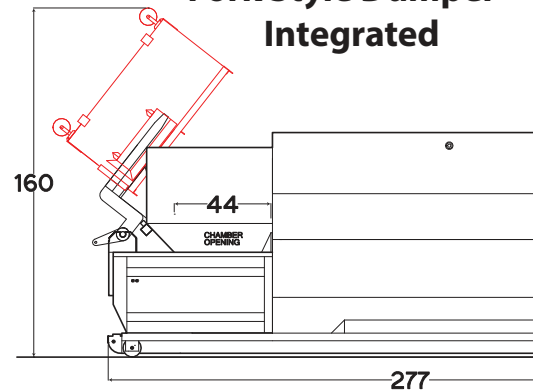
BWE Pinnacle is committed to provide you the optimal equipment solution
We will evaluate your site and application to provide a full turnkey solution from design to install.
Whatever your application may be...."We can dump that"

EXAMPLE APPLICATIONS:

Cart Tipper

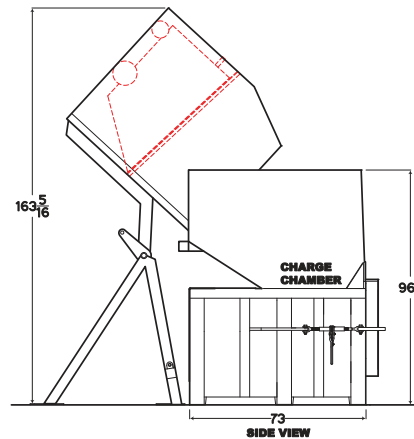
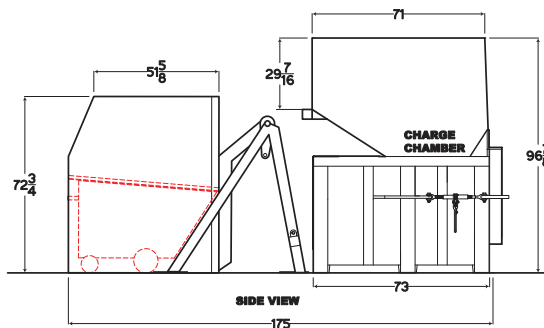


Fork Style Dumper - Integrated



Bucket Style Dumper

For use with various types of tilt carts, material handling containers and boxes.



bwe-nc.com



pinnaclecompactors.com

1808 Norwood Street SW
Lenoir, NC 28645
828/726-3001 (phone)
828/726-3010 (fax)

800-221-4153