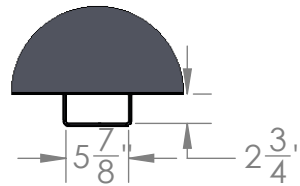
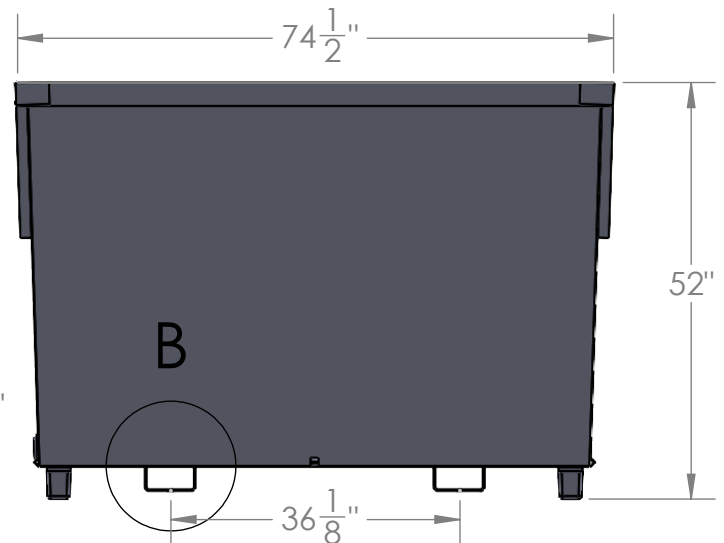
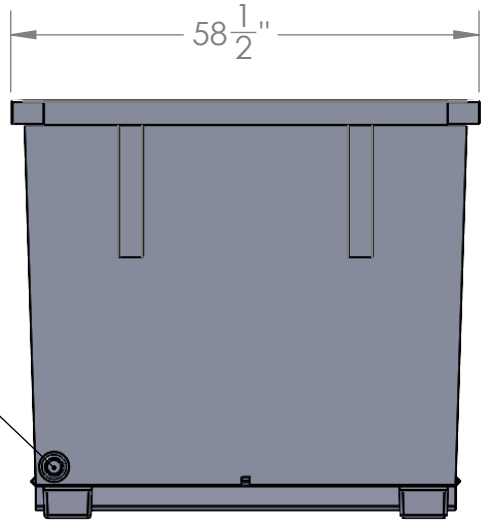
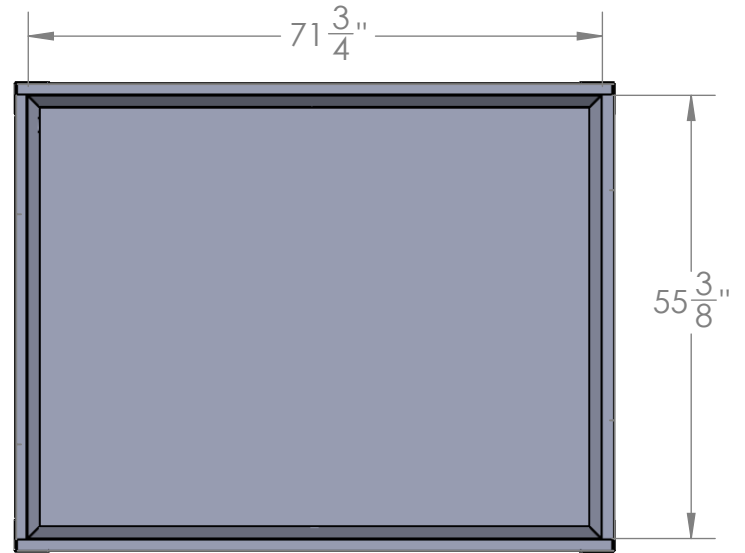
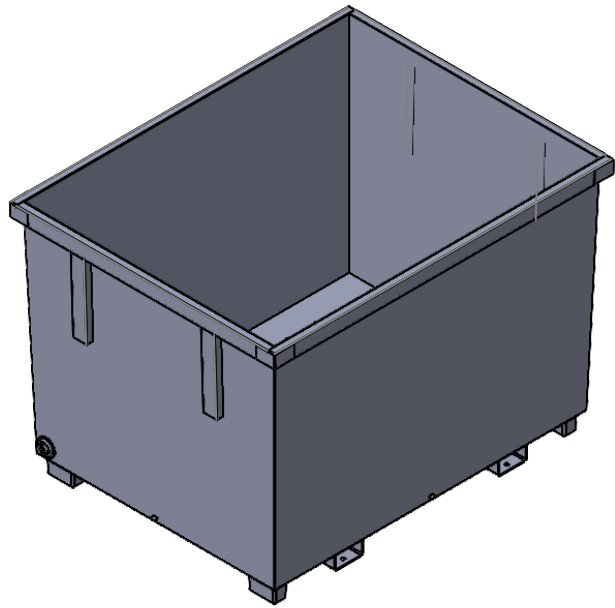


REV	BY	DATE	DESCRIPTION



DETAIL B
SCALE 1 : 18

PROPRIETARY AND CONFIDENTIAL
THE INFORMATION CONTAINED IN THIS DRAWING IS THE SOLE PROPERTY OF BAKERS WASTE EQUIPMENT INC. ANY REPRODUCTION IN PART OR AS A WHOLE WITHOUT THE WRITTEN PERMISSION OF BAKERS WASTE EQUIPMENT INC. IS PROHIBITED.



BAKERS WASTE EQUIPMENT, INC.
1808 Norwood St SW
Lenoir, NC 28645

SOURCE		OH/CT/PU		XX	TITLE: 4 YARD BUILDER BOX			
TOLERANCES:			NAME	DATE	SIZE	DWG. NO.		REV
FRACTION	+0, -1/16"	DRW	MJC	1/12/21	A	BB04T		XX
BEND	± 2°	CHK	XX	XX	SCALE: 1:24		SHEET 1 OF 1	