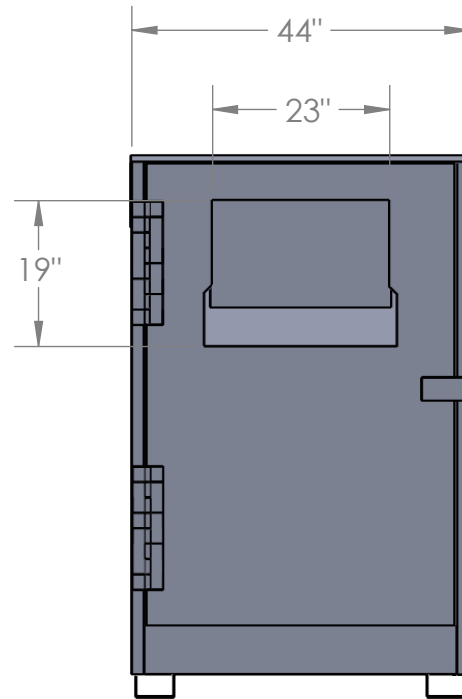
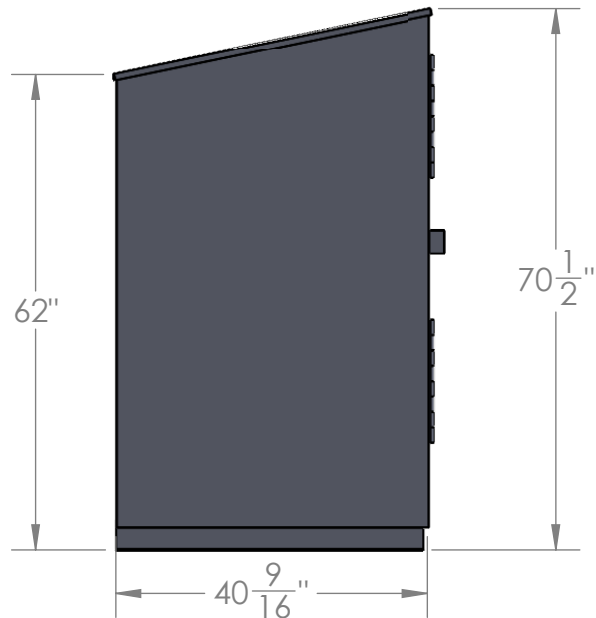
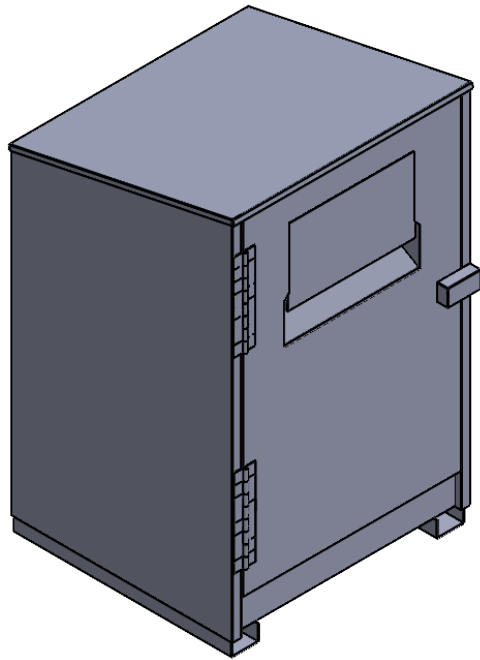


REV	BY	DATE	DESCRIPTION



**PROPRIETARY AND CONFIDENTIAL**

THE INFORMATION CONTAINED IN THIS DRAWING IS THE SOLE PROPERTY OF BAKERS WASTE EQUIPMENT INC. ANY REPRODUCTION IN PART OR AS A WHOLE WITHOUT THE WRITTEN PERMISSION OF BAKERS WASTE EQUIPMENT INC. IS PROHIBITED.



**BAKERS WASTE EQUIPMENT, INC.**  
 1808 Norwood St SW  
 Lenoir, NC 28645

<b>SOURCE</b>		<b>OH/CT/PU</b>		<b>XX</b>	<b>TITLE: CLOTHING BIN</b>			
<b>TOLERANCES:</b>			<b>NAME</b>	<b>DATE</b>	<b>SIZE</b>	<b>DWG. NO.</b>		<b>REV</b>
<b>FRACTION</b>	+0, -1/16"	DRW	MJC	1/13/21	<b>A</b>	<b>CB-Misc (2021)</b>		<b>XX</b>
<b>BEND</b>	± 2°	CHK	XX	XX	<b>SCALE: 1:32</b>		<b>SHEET 1 OF 1</b>	